

S SLOT WIDTH	SLOT QTY.	H	W	NOM. INLET				
				6" (152)	8" (203)	10" (254)	12" (305)	14" (356)
1" (25)	1 SLOT	10" (254)	3" (76)	•	•	◦	◦	
	2 SLOT	16" (406)	5 ⁵ / ₁₆ " (135)		•	•	•	
1 1/2" (38)	1 SLOT	10" (254)	4" (102)	•	•	◦	◦	
	2 SLOT	16" (406)	7 ⁵ / ₁₆ " (186)		•	•	•	•
2" (51)	1 SLOT	10" (254)	5" (127)		•	◦	◦	
	2 SLOT	16" (406)	9 ⁵ / ₁₆ " (237)		•	•	•	•
2 1/2" (64)	1 SLOT	10" (254)	6" (152)			◦	◦	
	2 SLOT	16" (406)	11 ⁵ / ₁₆ " (287)			•	•	•
3" (76)	1 SLOT	10" (254)	7" (178)			◦	◦	◦
	2 SLOT	16" (406)	13 ⁵ / ₁₆ " (338)			•	•	•

◦ SUPPLIED AS EQUIVALENT FLAT OVAL SIZE:
 12" (305) = 8" x 14³/₃₂" (203x358)

10" (254) = 8" x 10¹⁵/₁₆" (203x278)
 14" (356) = 8" x 17¹/₄" (203x438)

NOMINAL LENGTH:

- 24" (610)
- 36" (914)
- 48" (1219)
- 60" (1524)

MATERIAL:

- COATED STEEL

FINISH:

- MILL FINISH

INSULATION OPTIONS:

- (SELECT MODELS ASP / JSPI)
- CF - INTERNAL COATED FIBERGLASS
 - FF - INTERNAL FIBER FREE FOAM

MODELS:

- | | |
|------------------------------------|------------------------------------|
| <input type="checkbox"/> ASP(I)210 | <input type="checkbox"/> JSP(I)210 |
| <input type="checkbox"/> ASP(I)215 | <input type="checkbox"/> JSP(I)215 |
| <input type="checkbox"/> ASP(I)220 | <input type="checkbox"/> JSP(I)220 |
| <input type="checkbox"/> ASP(I)225 | <input type="checkbox"/> JSP(I)225 |
| <input type="checkbox"/> ASP(I)230 | <input type="checkbox"/> JSP(I)230 |

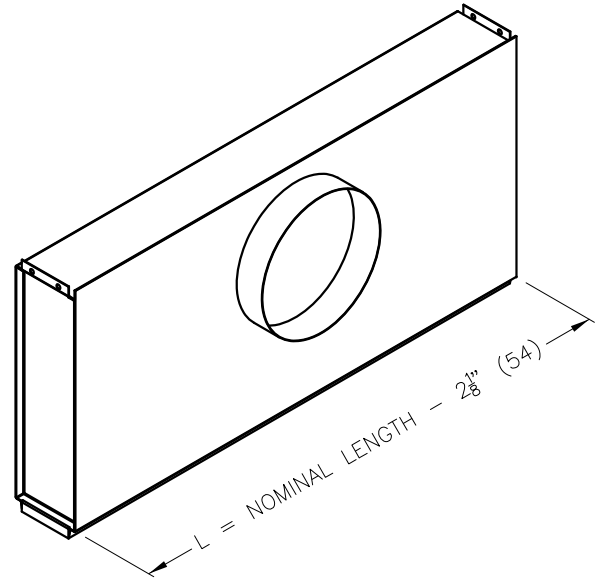
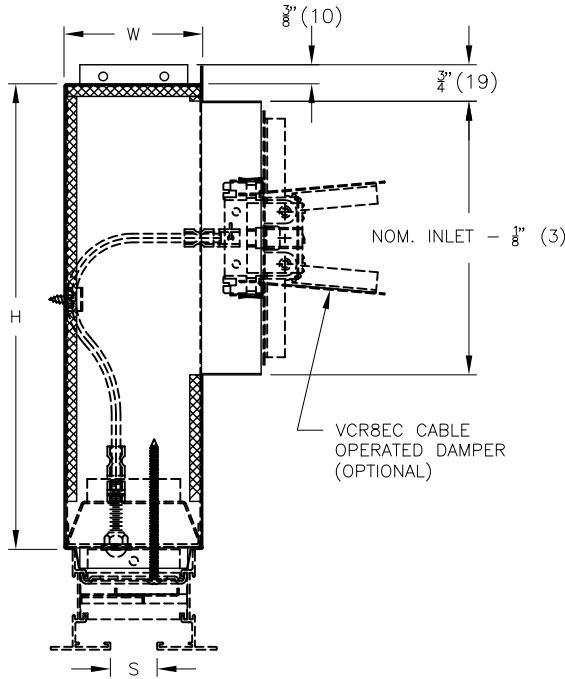
NOTES:

- ASP / JSPI ENDCAPS ARE UNINSULATED
- WHEN PLENUM ENDCAPS ARE NOT POSITIONED DIRECTLY OVER THE DIFFUSER SPACER BAR, INSTALL MB BLANKOFF FROM PLENUM ENDCAP TO NEXT SPACER BAR.
- USE WITH AS / JS TYPES 21 OR 22
- SEE INSTALLATION INSTRUCTION I100033 FOR INSTALLATION IN DRYWALL CEILINGS
- 8EC - OPTIONAL VCR8EC CABLE OPERATED DAMPER (NECK MOUNTED, ROUND INLETS ONLY)

ALL METRIC DIMENSIONS () ARE SOFT CONVERTED. IMPERIAL DIMENSIONS ARE CONVERTED TO METRIC AND ROUNDED TO THE NEAREST MILLIMETER.

PROJECT:		PRICE®
ENGINEER:		
CUSTOMER:		227472
SUBMITTAL DATE:	SPEC. SYMBOL:	2015/09/22

CUSTOM FLOW
 ASP / JSP SERIES
 ENGINEERED PLENUM
 TYPE 1



S SLOT WIDTH	SLOT QTY.	H	W	NOM. INLET				
				6" (152)	8" (203)	10" (254)	12" (305)	14" (356)
1" (25)	1 SLOT	10" (254)	3" (76)	•	•	◦	◦	
	2 SLOT	16" (406)	5 ⁵ / ₁₆ " (135)		•	•	•	
1½" (38)	1 SLOT	10" (254)	4" (102)	•	•	◦	◦	
	2 SLOT	16" (406)	7 ⁵ / ₁₆ " (186)		•	•	•	•
2" (51)	1 SLOT	10" (254)	5" (127)		•	◦	◦	
	2 SLOT	16" (406)	9 ⁵ / ₁₆ " (237)		•	•	•	•
2½" (64)	1 SLOT	10" (254)	6" (152)			◦	◦	
	2 SLOT	16" (406)	11 ⁵ / ₁₆ " (287)			•	•	•
3" (76)	1 SLOT	10" (254)	7" (178)			◦	◦	◦
	2 SLOT	16" (406)	13 ⁵ / ₁₆ " (338)			•	•	•

◦ SUPPLIED AS EQUIVALENT FLAT OVAL SIZE:
 12" (305) = 8" x 14³/₃₂" (203x358)

10" (254) = 8" x 10¹⁵/₁₆" (203x278)
 14" (356) = 8" x 17¹/₄" (203x438)

NOMINAL LENGTH:

- 24" (610)
- 36" (914)
- 48" (1219)
- 60" (1524)

MATERIAL:

- COATED STEEL

FINISH:

- MILL FINISH

INSULATION OPTIONS:

- (SELECT MODELS ASP / JSPI)
- CF - INTERNAL COATED FIBERGLASS
 - FF - INTERNAL FIBER FREE FOAM

MODELS:

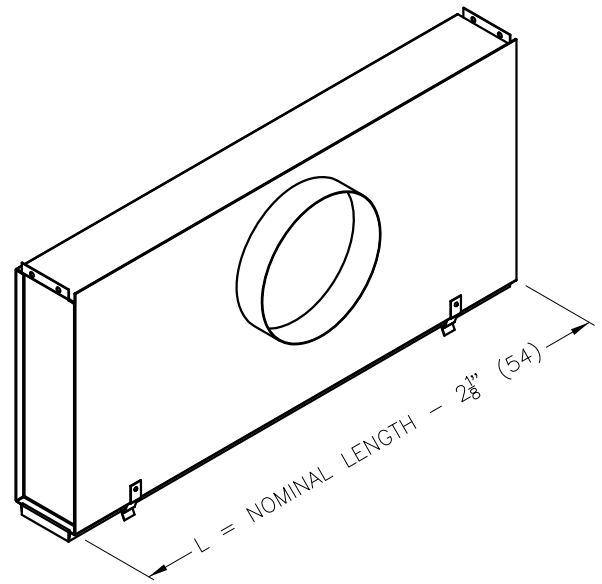
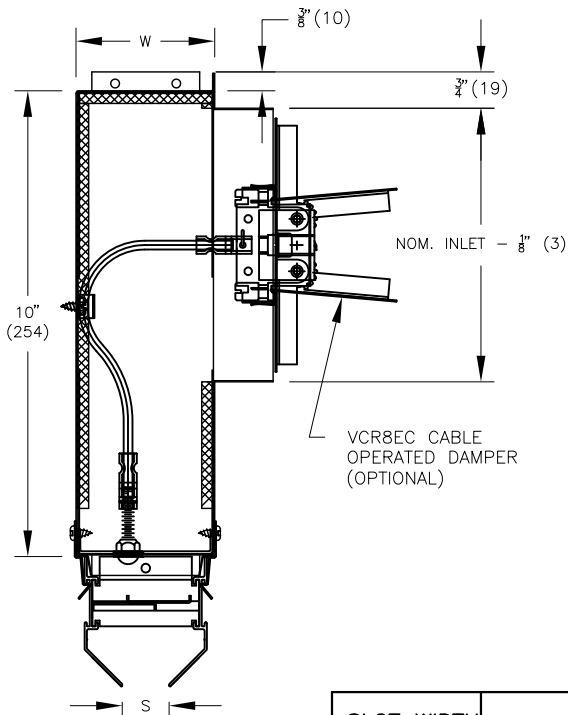
- | | |
|------------------------------------|------------------------------------|
| <input type="checkbox"/> ASP(I)210 | <input type="checkbox"/> JSP(I)210 |
| <input type="checkbox"/> ASP(I)215 | <input type="checkbox"/> JSP(I)215 |
| <input type="checkbox"/> ASP(I)220 | <input type="checkbox"/> JSP(I)220 |
| <input type="checkbox"/> ASP(I)225 | <input type="checkbox"/> JSP(I)225 |
| <input type="checkbox"/> ASP(I)230 | <input type="checkbox"/> JSP(I)230 |

NOTES:

- ASP / JSPI ENDCAPS ARE UNINSULATED
- WHEN PLENUM ENDCAPS ARE NOT POSITIONED DIRECTLY OVER THE DIFFUSER SPACER BAR, INSTALL MB BLANKOFF FROM PLENUM ENDCAP TO NEXT SPACER BAR.
- USE WITH AS / JS TYPES 21P OR 22P
- SEE INSTALLATION INSTRUCTION I100031 FOR INSTALLATION IN DRYWALL CEILINGS
- 8EC - OPTIONAL VCR8EC CABLE OPERATED DAMPER (NECK MOUNTED, ROUND INLETS ONLY)

ALL METRIC DIMENSIONS () ARE SOFT CONVERTED. IMPERIAL DIMENSIONS ARE CONVERTED TO METRIC AND ROUNDED TO THE NEAREST MILLIMETER.

PROJECT:		PRICE®	
ENGINEER:			
CUSTOMER:		230978	
SUBMITTAL DATE:	SPEC. SYMBOL:	2015/09/22	



SLOT WIDTH S	W	NOM. INLET				
		6" (152)	8" (203)	10" (254)	12" (305)	14" (356)
1" (25)	3" (76)	•	•	◦	◦	
1½" (38)	3½" (89)	•	•	◦	◦	
2" (51)	4" (102)		•	◦	◦	
2½" (64)	4½" (114)			◦	◦	
3" (76)	5" (127)			◦	◦	◦

- SUPPLIED AS EQUIVALENT FLAT OVAL SIZE: 10" (254) = 8" x 10¹⁵/₁₆" (203x278)
 12" (305) = 8" x 14³/₂" (203x358) 14" (356) = 8" x 17¹/₄" (203x438)

NOMINAL LENGTH:

- 24" (610)
- 36" (914)
- 48" (1219)
- 60" (1524)

MATERIAL:

- COATED STEEL

FINISH:

- MILL FINISH

INSULATION OPTIONS:

- (SELECT MODELS ASPI / JSPI)
- CF - INTERNAL COATED FIBERGLASS
 - FF - INTERNAL FIBER FREE FOAM

MODELS:

- | | |
|------------------------------------|------------------------------------|
| <input type="checkbox"/> ASP(I)210 | <input type="checkbox"/> JSP(I)210 |
| <input type="checkbox"/> ASP(I)215 | <input type="checkbox"/> JSP(I)215 |
| <input type="checkbox"/> ASP(I)220 | <input type="checkbox"/> JSP(I)220 |
| <input type="checkbox"/> ASP(I)225 | <input type="checkbox"/> JSP(I)225 |
| <input type="checkbox"/> ASP(I)230 | <input type="checkbox"/> JSP(I)230 |

NOTES:

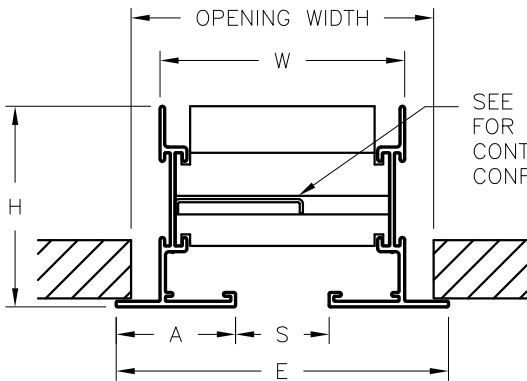
- ASPI / JSPI ENDCAPS ARE UNINSULATED
- WHEN PLENUM ENDCAPS ARE NOT POSITIONED DIRECTLY OVER THE DIFFUSER SPACER BAR, INSTALL MB BLANKOFF FROM PLENUM ENDCAP TO NEXT SPACER BAR.
- USE WITH AS / JS TYPES 41 OR 41P
- SEE INSTALLATION INSTRUCTION I100036
- 8EC - OPTIONAL VCR8EC CABLE OPERATED DAMPER (NECK MOUNTED, ROUND INLETS ONLY)

ALL METRIC DIMENSIONS () ARE SOFT CONVERTED. IMPERIAL DIMENSIONS ARE CONVERTED TO METRIC AND ROUNDED TO THE NEAREST MILLIMETER.

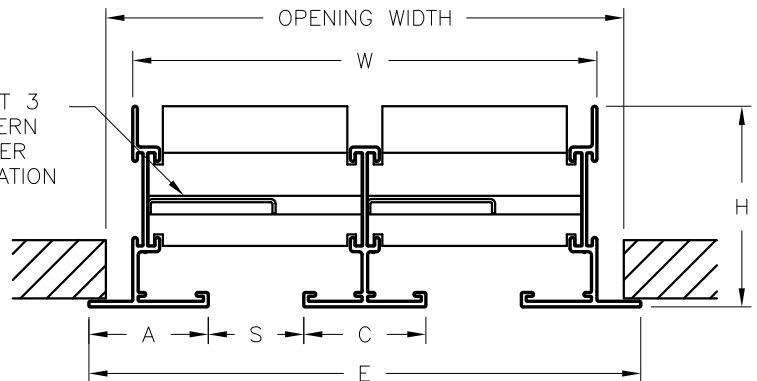
PROJECT:		
ENGINEER:		
CUSTOMER:		240817
SUBMITTAL DATE:		2015/09/22
SPEC. SYMBOL:		CUSTOM FLOW ASP / JSP SERIES ENGINEERED PLENUMS TYPE 41

**CUSTOM FLOW - BORDER TYPE 21, 21C & 21P
SURFACE MOUNT APPLICATION**

AS SERIES

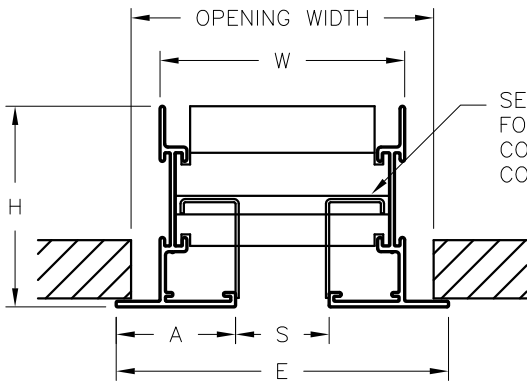


1 SLOT

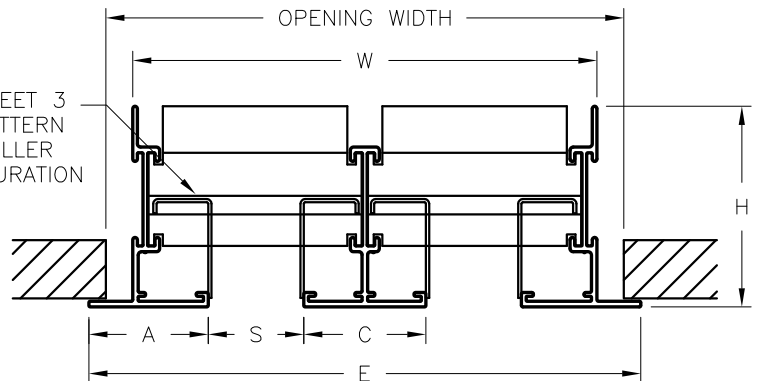


2 SLOT

JS SERIES



1 SLOT



2 SLOT

FINISH:

- PATTERN CONTROLLERS – B17 BLACK
- INTERIOR SURFACES:
 - UPPER FRAME TO MATCH DIFFUSER FACE FINISH
 - BFR – B17 BLACK UPPER FRAME STACK (AS ONLY)
 - DIFFUSER FACE – B12 WHITE (OPTIONAL FINISHES AVAILABLE)
- Z ENDCAPS – B17 BLACK

PATTERN CONTROLLERS:

- SPC – SINGLE LAYER PATTERN CONTROLLER, SEE PAGE 3 (PATTERN ADJUSTMENT ONLY)
- DPC – DUAL LAYER PATTERN CONTROLLER, SEE PAGE 3 (PATTERN AND VOLUME ADJUSTABLE)

MATERIAL:

- EXTRUDED ALUMINUM FRAME & SPACERS
- PATTERN CONTROLLERS ARE HEAVY GAUGE STEEL
- Z ENDCAPS – STEEL

NOTE:

- MINIMUM LENGTH 12" (305)
- MAXIMUM SECTION LENGTH 120" (3048)
- FOR ASP / JSP PLENUMS USE TYPE 21 OR 21P
- FOR HEMMED PLENUMS USE TYPE 21C MOUNTING
- FOR DRYWALL APPLICATIONS SEE:
 - INSTALLATION INSTRUCTION I100028 (21C)
 - INSTALLATION INSTRUCTION I100031 (21P)
 - INSTALLATION INSTRUCTION I100033 (21)
- FOR T-BAR INSTALLATION SEE INSTALLATION INSTRUCTION I100035

MODELS:

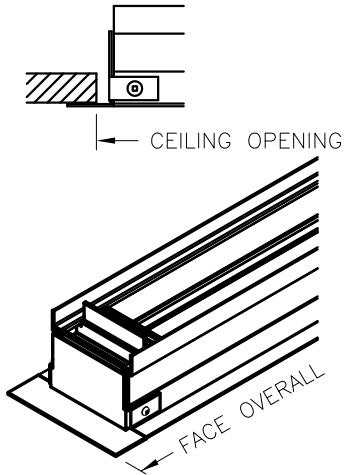
- | | |
|---|---|
| <input type="checkbox"/> AS210 – 1" SLOT | <input type="checkbox"/> JS210 – 1" SLOT |
| <input type="checkbox"/> AS215 – 1½" SLOT | <input type="checkbox"/> JS215 – 1½" SLOT |
| <input type="checkbox"/> AS220 – 2" SLOT | <input type="checkbox"/> JS220 – 2" SLOT |
| <input type="checkbox"/> AS225 – 2½" SLOT | <input type="checkbox"/> JS225 – 2½" SLOT |
| <input type="checkbox"/> AS230 – 3" SLOT | <input type="checkbox"/> JS230 – 3" SLOT |

ALL METRIC DIMENSIONS () ARE SOFT CONVERTED. IMPERIAL DIMENSIONS ARE CONVERTED TO METRIC AND ROUNDED TO THE NEAREST MILLIMETER.

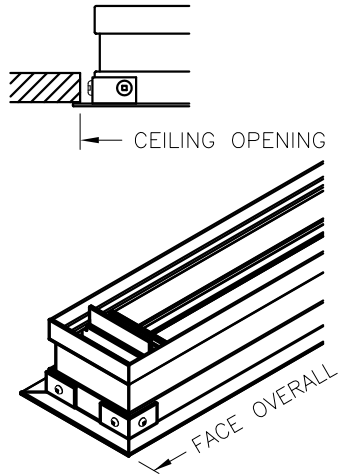
PROJECT:		
ENGINEER:		
CUSTOMER:		<i>MG</i>
SUBMITTAL DATE:		244834
SPEC. SYMBOL:		2014/04/07
CUSTOM FLOW AS / JS SERIES LINEAR DIFFUSER TYPES 21, 21C & 21P SURFACE MOUNT		

END CONDITIONS:

W - FLANGE END

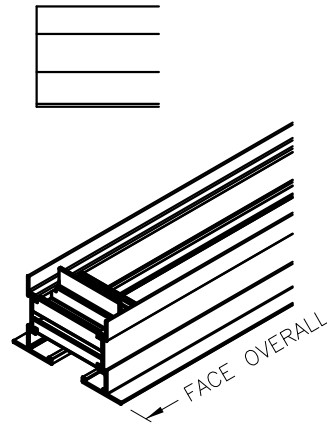


X - MITRED END

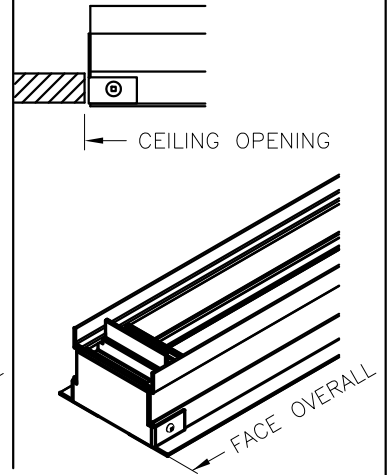


Y - OPEN END

FOR SPLICING TOGETHER
MULTIPLE SECTIONS



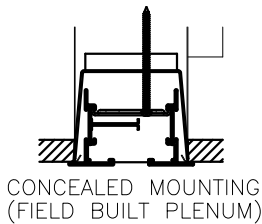
Z - FLUSH END CAP



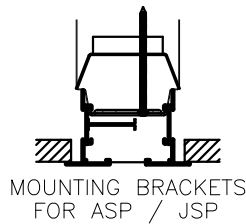
END CONDITION	FACE OVERALL LENGTH	CEILING OPENING
W-W	ORDERED SIZE + 2" (51)	ORDERED SIZE + 3/4" (19)
W-X	ORDERED SIZE + 1 7/32" (38)	ORDERED SIZE + 3/4" (19)
W-Y	ORDERED SIZE + 1" (25)	ORDERED SIZE + 7/16" (11)
W-Z	ORDERED SIZE + 1 1/16" (27)	ORDERED SIZE + 1/2" (13)
X-X	ORDERED SIZE + 1 1/16" (27)	ORDERED SIZE + 3/4" (19)
X-Y	ORDERED SIZE + 1 7/32" (13)	ORDERED SIZE + 7/16" (11)
X-Z	ORDERED SIZE + 1 9/32" (15)	ORDERED SIZE + 1/2" (13)
Y-Y	ORDERED SIZE	ORDERED SIZE + 1/8" (3)
Y-Z	ORDERED SIZE + 1/16" (2)	ORDERED SIZE + 3/16" (5)
Z-Z	ORDERED SIZE + 1/8" (3)	ORDERED SIZE + 1/4" (6)

MOUNTING:

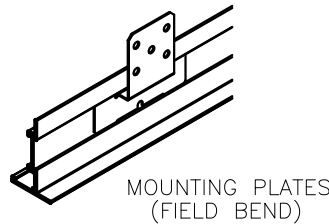
**TYPE 21C
C MTG BRACKET**



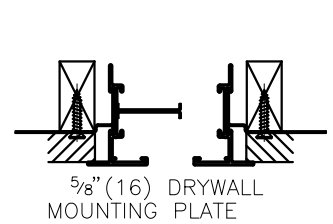
**TYPE 21P
P MTG BRACKET**



**TYPE 21
MP MOUNTING PLATE**



**TYPE 21
MP - D625 MOUNTING PLATE**



S	SLOT QTY.	E	W	OPENING WIDTH*	A	C	H
1" (25)	1 SLOT	3 9/16" (91)	2 5/8" (67)	3 1/4" (83)	1 9/32" (33)	1 5/16" (33)	2 3/16" (56)
	2 SLOT	5 15/16" (151)	5" (127)	5 9/16" (141)			
1 1/2" (38)	1 SLOT	4 9/16" (116)	3 5/8" (92)	4 1/4" (108)	1 17/32" (39)	1 13/16" (46)	2 7/16" (62)
	2 SLOT	7 15/16" (202)	7" (178)	7 9/16" (192)			
2" (51)	1 SLOT	5 9/16" (141)	4 5/8" (117)	5 1/4" (133)	1 25/32" (45)	2 5/16" (59)	2 1 1/16" (68)
	2 SLOT	9 15/16" (252)	9" (229)	9 9/16" (243)			
2 1/2" (64)	1 SLOT	6 9/16" (167)	5 5/8" (143)	6 1/4" (159)	2 1/32" (52)	2 13/16" (71)	2 15/16" (75)
	2 SLOT	11 15/16" (303)	11" (279)	11 9/16" (294)			
3" (76)	1 SLOT	7 9/16" (192)	6 5/8" (168)	7 1/4" (184)	2 9/32" (58)	3 5/16" (84)	3 3/16" (81)
	2 SLOT	13 15/16" (354)	13" (330)	13 9/16" (344)			

* OPENING WIDTH IS OUTSIDE DIMENSION OF FIELD BUILT PLENUM WITH HEMMED EDGES. IF NO PLENUM IS USED, OPENING WIDTH MAY OPTIONALLY BE REDUCED BY UP TO 1/4" (6). FOR TYPE P MOUNTING SEE ALSO ASP/JSP SUBMITTAL.

ALL METRIC DIMENSIONS () ARE SOFT CONVERTED. IMPERIAL DIMENSIONS ARE CONVERTED TO METRIC AND ROUNDED TO THE NEAREST MILLIMETER.

PROJECT:



ENGINEER:

Signature

CUSTOM FLOW

CUSTOMER:

244834

AS / JS SERIES
LINEAR DIFFUSER
TYPES 21, 21C & 21P
SURFACE MOUNT

SUBMITTAL DATE:

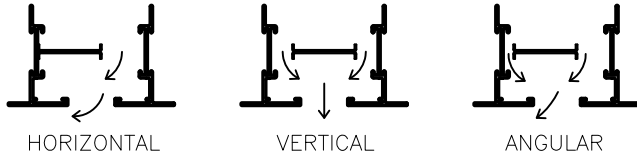
SPEC. SYMBOL:

2014/04/07

**CUSTOM FLOW - BORDER TYPE 21, 21C & 21P
SURFACE MOUNT APPLICATION**

PATTERN CONTROLLER ADJUSTMENTS:

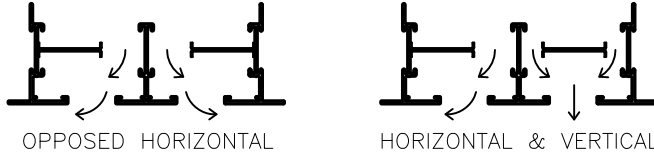
□ AS SERIES – DPC – DUAL LAYER PATTERN CONTROLLERS (PATTERN AND VOLUME ADJUSTMENT)



DPC – VOLUME ADJUSTMENTS:

- FULLY OPEN:
- PARTIALLY DAMPERED
- SHUTOFF

• TWO SLOT ADJUSTMENT MAY ALSO DIFFER FOR EACH SLOT:

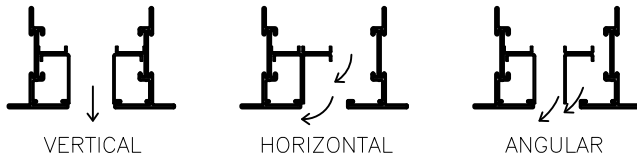


□ AS SERIES – SPC – SINGLE LAYER PATTERN CONTROLLERS (PATTERN ADJUSTMENT ONLY)

• TWO SLOT ADJUSTMENT MAY ALSO DIFFER FOR EACH SLOT:



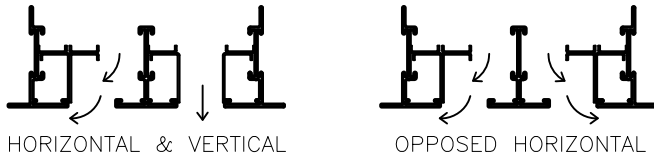
□ JS SERIES – DPC – DUAL LAYER PATTERN CONTROLLERS (PATTERN AND VOLUME ADJUSTMENT)



DPC – VOLUME ADJUSTMENTS:

- FULLY OPEN:
- PARTIALLY DAMPERED
- SHUTOFF

• TWO SLOT ADJUSTMENT MAY ALSO DIFFER FOR EACH SLOT:



□ JS SERIES – SPC – SINGLE LAYER PATTERN CONTROLLERS (PATTERN ADJUSTMENT ONLY)

• TWO SLOT ADJUSTMENT MAY ALSO DIFFER FOR EACH SLOT:

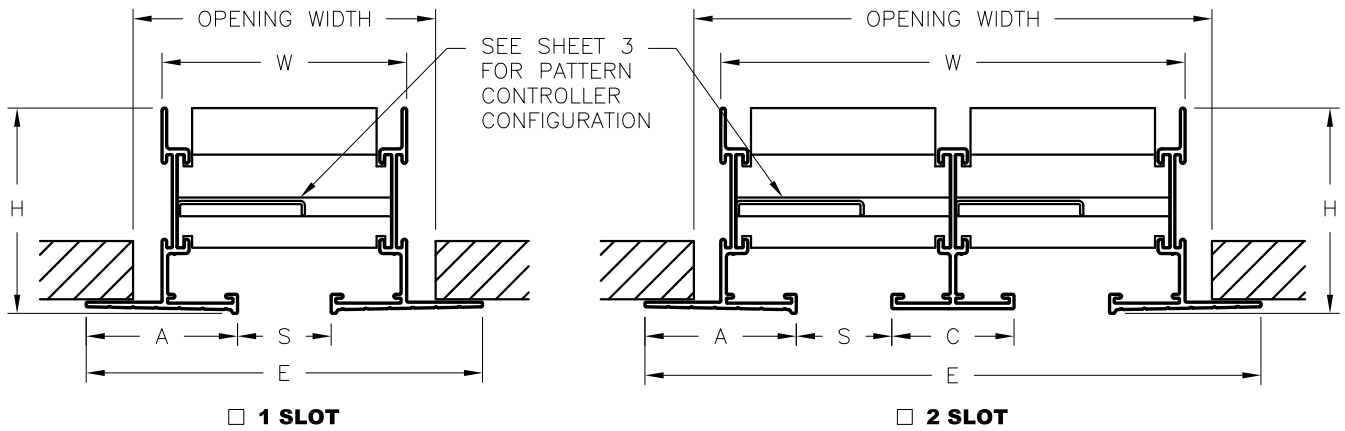


ALL METRIC DIMENSIONS () ARE SOFT CONVERTED. IMPERIAL DIMENSIONS ARE CONVERTED TO METRIC AND ROUNDED TO THE NEAREST MILLIMETER.

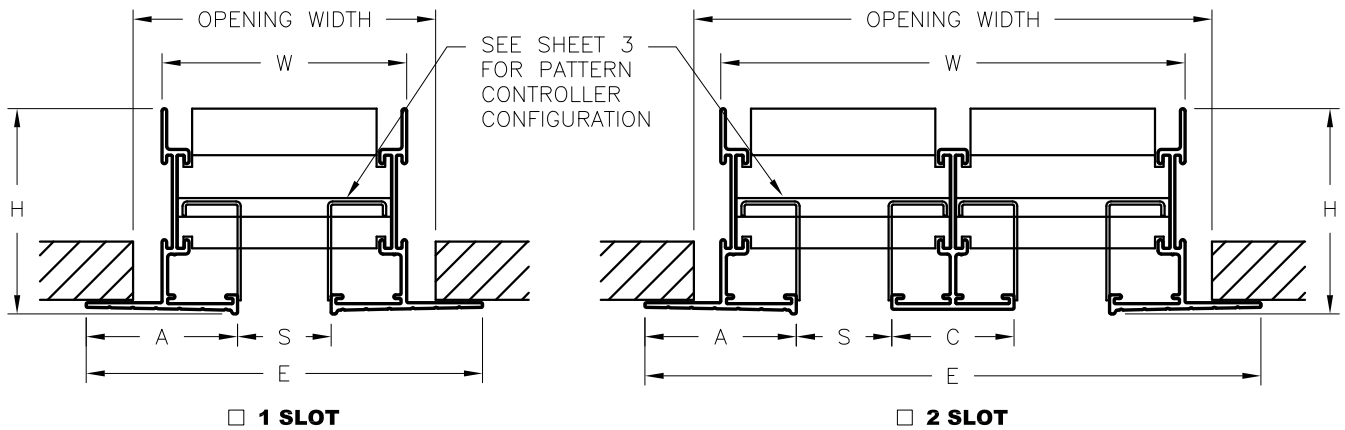
PROJECT:		PRICE[®]	
ENGINEER:			CUSTOM FLOW AS / JS SERIES LINEAR DIFFUSER TYPE 21, 21C & 21P SURFACE MOUNT
CUSTOMER:		249834	
SUBMITTAL DATE:	SPEC. SYMBOL:	2014/04/07	

**CUSTOM FLOW - BORDER TYPE 22SM & 22ASM
CONCEALED SURFACE MOUNT APPLICATION**

AS SERIES



JS SERIES



FINISH:

- PATTERN CONTROLLERS – B17 BLACK
- INTERIOR SURFACES:
 - UPPER FRAME TO MATCH DIFFUSER FACE FINISH
 - BFR – B17 BLACK UPPER FRAME STACK (AS ONLY)
- OUTER FRAMES – MILL FINISH
 - CENTRE TEE (2 SLOT MODELS) – B12 WHITE (OPTIONAL FINISHES AVAILABLE)

PATTERN CONTROLLERS:

- SPC – SINGLE LAYER PATTERN CONTROLLER, SEE PAGE 3 (PATTERN ADJUSTMENT ONLY)
- DPC – DUAL LAYER PATTERN CONTROLLER, SEE PAGE 3 (PATTERN AND VOLUME ADJUSTABLE)

MATERIAL:

- EXTRUDED ALUMINUM FRAME & SPACERS
- PATTERN CONTROLLERS ARE HEAVY GAUGE STEEL

ALL METRIC DIMENSIONS () ARE SOFT CONVERTED. IMPERIAL DIMENSIONS ARE CONVERTED TO METRIC AND ROUNDED TO THE NEAREST MILLIMETER.

NOTE:

- MINIMUM LENGTH 12" (305)
- MAXIMUM SECTION LENGTH 120" (3048)
- FOR USE WITH MODEL UP/UPL PLENUMS
- SEE INSTALLATION INSTRUCTION I100028 (22SM)
- SEE INSTALLATION INSTRUCTION I100032 (22ASM)
- SEE INSTALLATION INSTRUCTION I100030 FOR DRYWALL FINISHING
- TAPING AND PLASTER FINISHING BY OTHERS

MODELS:

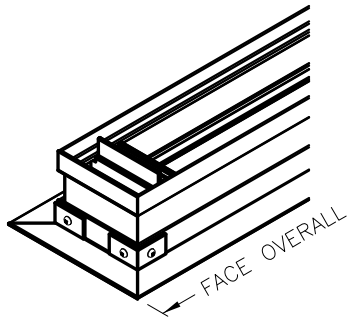
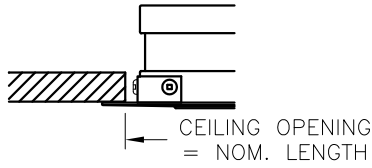
- | | |
|---|---|
| <input type="checkbox"/> AS210 – 1" SLOT | <input type="checkbox"/> JS210 – 1" SLOT |
| <input type="checkbox"/> AS215 – 1½" SLOT | <input type="checkbox"/> JS215 – 1½" SLOT |
| <input type="checkbox"/> AS220 – 2" SLOT | <input type="checkbox"/> JS220 – 2" SLOT |
| <input type="checkbox"/> AS225 – 2½" SLOT | <input type="checkbox"/> JS225 – 2½" SLOT |
| <input type="checkbox"/> AS230 – 3" SLOT | <input type="checkbox"/> JS230 – 3" SLOT |

PROJECT:		PRICE®	
ENGINEER:		<i>MQ</i>	CUSTOM FLOW AS / JS SERIES LINEAR DIFFUSER TYPE 22SM & 22ASM SURFACE MOUNT
CUSTOMER:		256224	
SUBMITTAL DATE:	SPEC. SYMBOL:	2014/04/07	

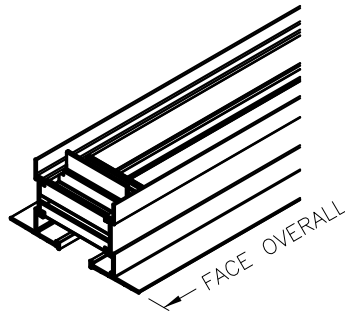
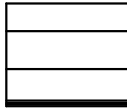
**CUSTOM FLOW - BORDER TYPE 22SM & 22ASM
CONCEALED SURFACE MOUNT APPLICATION**

END CONDITIONS:

X - MITRED END

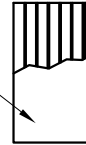


Y - OPEN END
FOR SPLICING TOGETHER
MULTIPLE SECTIONS



END CONDITION	FACE OVERALL LENGTH
X-X	NOM. LENGTH + 1" (25)
X-Y	NOM. LENGTH + 1/2" (13)
Y-Y	NOM. LENGTH

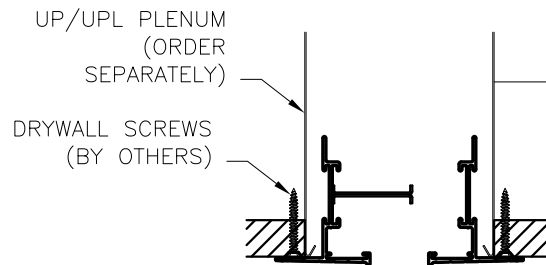
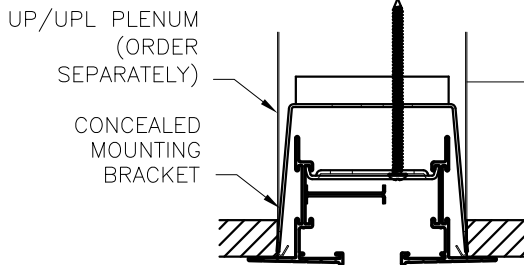
TAPE & PLASTER
TO FINISH
(BY OTHERS)



MOUNTING:

TYPE 22SM C- CONCEALED MOUNTING BRACKETS

TYPE 22ASM A- COUNTERSUNK SCREW HOLES



S	SLOT QTY.	E	W	OPENING WIDTH*	A	C	H
1" (25)	1 SLOT	4 1/4" (108)	2 5/8" (67)	3 1/4" (83)	1 5/8" (41)	1 5/16" (33)	2 3/16" (56)
	2 SLOT	6 5/8" (168)	5" (127)	5 9/16" (141)			
1 1/2" (38)	1 SLOT	5 1/4" (133)	3 5/8" (92)	4 1/4" (108)	1 7/8" (48)	1 13/16" (46)	2 7/16" (62)
	2 SLOT	8 5/8" (219)	7" (178)	7 9/16" (192)			
2" (51)	1 SLOT	6 1/4" (159)	4 5/8" (117)	5 1/4" (133)	2 1/8" (54)	2 5/16" (59)	2 1 1/16" (68)
	2 SLOT	10 5/8" (270)	9" (229)	9 9/16" (243)			
2 1/2" (64)	1 SLOT	7 1/4" (184)	5 5/8" (143)	6 1/4" (159)	2 3/8" (60)	2 13/16" (71)	2 15/16" (75)
	2 SLOT	12 5/8" (321)	11" (279)	11 9/16" (294)			
3" (76)	1 SLOT	8 1/4" (210)	6 5/8" (168)	7 1/4" (184)	2 5/8" (67)	3 5/16" (84)	3 3/16" (81)
	2 SLOT	14 5/8" (371)	13" (330)	13 9/16" (344)			

* OPENING WIDTH IS OUTSIDE DIMENSION OF MODEL UP / UPL PLENUM, WITH HEMMED EDGES ("W" ON UP/UPL SUBMITTALS). IF NO PLENUM IS USED, OPENING WIDTH MAY OPTIONALLY BE REDUCED BY UP TO 1/4" (6).

ALL METRIC DIMENSIONS () ARE SOFT CONVERTED. IMPERIAL DIMENSIONS ARE CONVERTED TO METRIC AND ROUNDED TO THE NEAREST MILLIMETER.

PROJECT:



ENGINEER:

MQ

CUSTOM FLOW

CUSTOMER:

256224

AS / JS SERIES
LINEAR DIFFUSER
TYPE 22SM & 22ASM
SURFACE MOUNT

SUBMITTAL DATE:

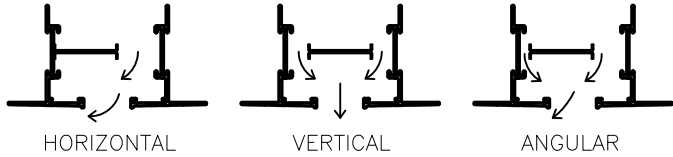
SPEC. SYMBOL:

2014/04/07

**CUSTOM FLOW - BORDER TYPE 22SM & 22ASM
CONCEALED SURFACE MOUNT APPLICATION**

PATTERN CONTROLLER ADJUSTMENTS:

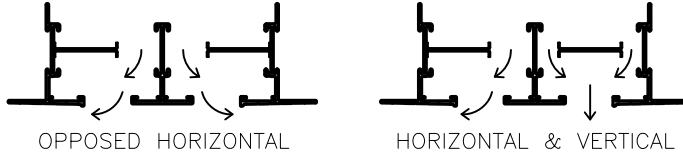
AS SERIES - DPC - DUAL LAYER PATTERN CONTROLLERS (PATTERN AND VOLUME ADJUSTMENT)



DPC - VOLUME ADJUSTMENTS:

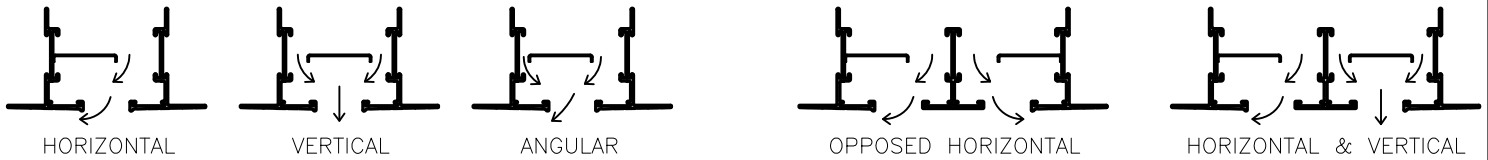
- FULLY OPEN:
- PARTIALLY DAMPERED
- SHUTOFF

• TWO SLOT ADJUSTMENT MAY ALSO DIFFER FOR EACH SLOT:

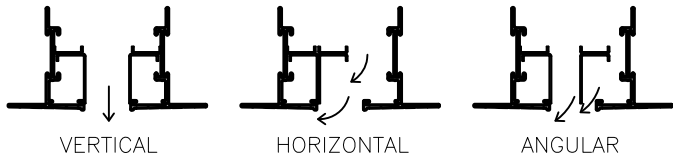


AS SERIES - SPC - SINGLE LAYER PATTERN CONTROLLERS (PATTERN ADJUSTMENT ONLY)

• TWO SLOT ADJUSTMENT MAY ALSO DIFFER FOR EACH SLOT:



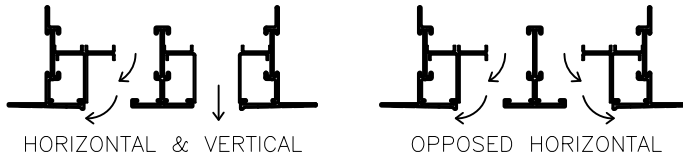
JS SERIES - DPC - DUAL LAYER PATTERN CONTROLLERS (PATTERN AND VOLUME ADJUSTMENT)



DPC - VOLUME ADJUSTMENTS:

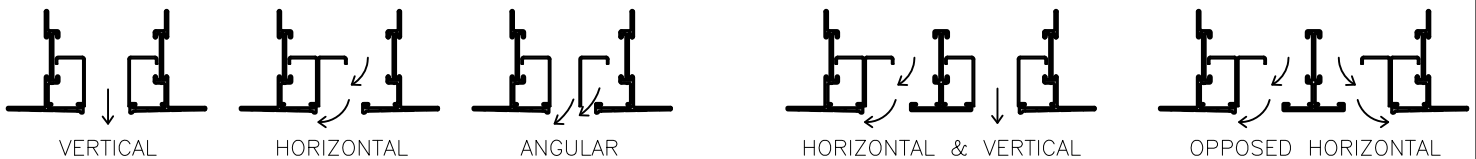
- FULLY OPEN:
- PARTIALLY DAMPERED
- SHUTOFF

• TWO SLOT ADJUSTMENT MAY ALSO DIFFER FOR EACH SLOT:



JS SERIES - SPC - SINGLE LAYER PATTERN CONTROLLERS (PATTERN ADJUSTMENT ONLY)

• TWO SLOT ADJUSTMENT MAY ALSO DIFFER FOR EACH SLOT:

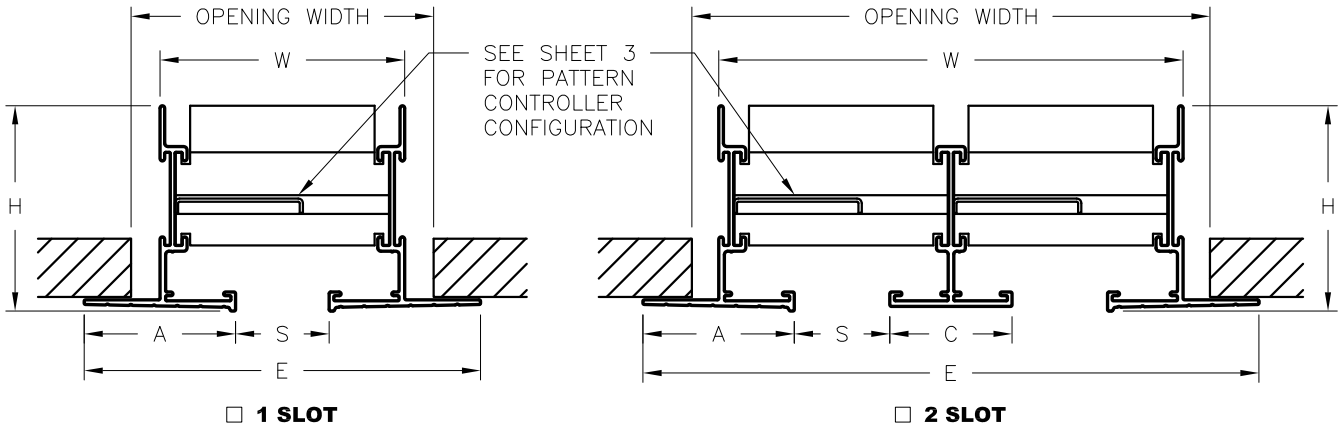


ALL METRIC DIMENSIONS () ARE SOFT CONVERTED. IMPERIAL DIMENSIONS ARE CONVERTED TO METRIC AND ROUNDED TO THE NEAREST MILLIMETER.

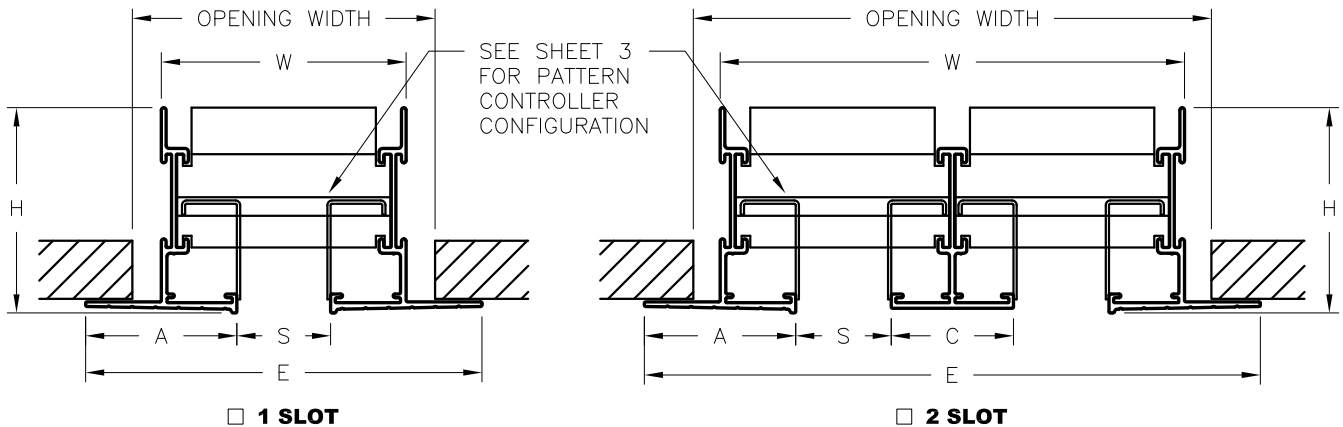
PROJECT:		PRICE®	
ENGINEER:			CUSTOM FLOW AS / JS SERIES LINEAR DIFFUSER TYPE 22SM & 22ASM SURFACE MOUNT
CUSTOMER:		256224	
SUBMITTAL DATE:	SPEC. SYMBOL:	2014/04/07	

**CUSTOM FLOW - BORDER TYPE 22, 22A, 22C & 22P
CONCEALED SURFACE MOUNT APPLICATION**

AS SERIES



JS SERIES



FINISH:

- PATTERN CONTROLLERS – B17 BLACK
- INTERIOR SURFACES:
 - UPPER FRAME TO MATCH DIFFUSER FACE FINISH
 - BFR – B17 BLACK UPPER FRAME STACK (AS ONLY)
- OUTER FRAMES – MILL FINISH
- CENTRE TEE (2 SLOT MODELS) – B12 WHITE (OPTIONAL FINISHES AVAILABLE)
- Z ENDCAPS – B17 BLACK

PATTERN CONTROLLERS:

- SPC – SINGLE LAYER PATTERN CONTROLLER, SEE PAGE 3 (PATTERN ADJUSTMENT ONLY)
- DPC – DUAL LAYER PATTERN CONTROLLER, SEE PAGE 3 (PATTERN AND VOLUME ADJUSTABLE)

MATERIAL:

- EXTRUDED ALUMINUM FRAME & SPACERS
- PATTERN CONTROLLERS ARE HEAVY GAUGE STEEL
- Z ENDCAPS – STEEL

NOTE:

- MINIMUM LENGTH 12" (305)
- MAXIMUM SECTION LENGTH 120" (3048)
- FOR DRYWALL APPLICATIONS SEE:
 - INSTALLATION INSTRUCTION I100028 (22C)
 - INSTALLATION INSTRUCTION I100031 (22P)
 - INSTALLATION INSTRUCTION I100032 (22A)
 - INSTALLATION INSTRUCTION I100033 (22)
- SEE INSTALLATION INSTRUCTION I100030 FOR DRYWALL FINISHING
- TAPING AND PLASTER FINISHING BY OTHERS

MODELS:

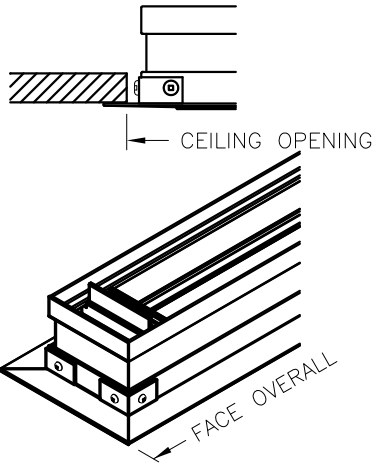
- | | |
|---|---|
| <input type="checkbox"/> AS210 – 1" SLOT | <input type="checkbox"/> JS210 – 1" SLOT |
| <input type="checkbox"/> AS215 – 1½" SLOT | <input type="checkbox"/> JS215 – 1½" SLOT |
| <input type="checkbox"/> AS220 – 2" SLOT | <input type="checkbox"/> JS220 – 2" SLOT |
| <input type="checkbox"/> AS225 – 2½" SLOT | <input type="checkbox"/> JS225 – 2½" SLOT |
| <input type="checkbox"/> AS230 – 3" SLOT | <input type="checkbox"/> JS230 – 3" SLOT |

ALL METRIC DIMENSIONS () ARE SOFT CONVERTED. IMPERIAL DIMENSIONS ARE CONVERTED TO METRIC AND ROUNDED TO THE NEAREST MILLIMETER.

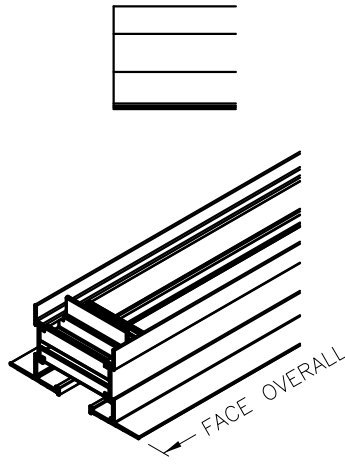
PROJECT:		PRICE®	
ENGINEER:		<i>MG</i>	CUSTOM FLOW AS / JS SERIES LINEAR DIFFUSER TYPE 22, 22A, 22C & 22P SURFACE MOUNT
CUSTOMER:		256223	
SUBMITTAL DATE:	SPEC. SYMBOL:	2014/04/07	

END CONDITIONS:

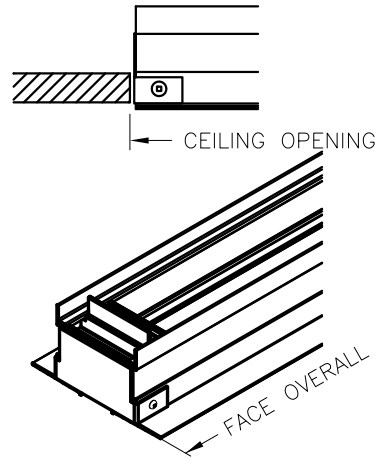
X - MITRED END



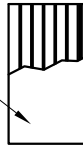
Y - OPEN END
FOR SPlicing TOGETHER
MULTIPLE SECTIONS



Z - FLUSH END CAP

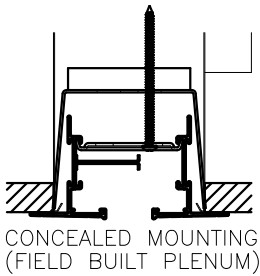


TAPE & PLASTER
TO FINISH
(BY OTHERS)

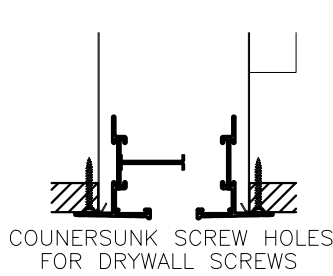


MOUNTING:

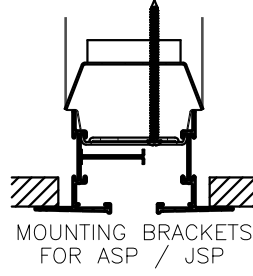
**TYPE 22C
C MOUNTING**



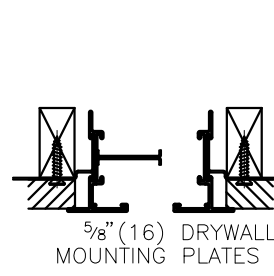
**TYPE 22A
A MOUNTING**



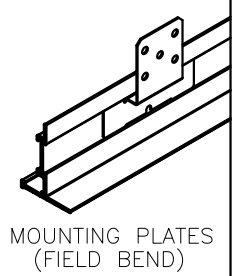
**TYPE 22P
P MOUNTING**



**TYPE 22
MP-D625**



**TYPE 22
MP**



END CONDITION	FACE OVERALL LENGTH	CEILING OPENING
X-X	ORDERED SIZE + 1 3/4" (44)	ORDERED SIZE + 3/4" (19)
X-Y	ORDERED SIZE + 7/8" (22)	ORDERED SIZE + 7/16" (11)
X-Z	ORDERED SIZE + 15/16" (24)	ORDERED SIZE + 1/2" (13)
Y-Y	ORDERED SIZE	ORDERED SIZE + 1/8" (3)
Y-Z	ORDERED SIZE + 1/16" (2)	ORDERED SIZE + 3/16" (5)
Z-Z	ORDERED SIZE + 1/8" (3)	ORDERED SIZE + 1/4" (6)

S	SLOT QTY.	E	W	OPENING WIDTH*	A	C	H
1" (25)	1 SLOT	4 1/4" (108)	2 5/8" (67)	3 1/4" (83)	1 5/8" (41)	1 5/16" (33)	2 3/16" (56)
	2 SLOT	6 5/8" (168)	5" (127)	5 9/16" (141)			
1 1/2" (38)	1 SLOT	5 1/4" (133)	3 5/8" (92)	4 1/4" (108)	1 7/8" (48)	1 13/16" (46)	2 7/16" (62)
	2 SLOT	8 5/8" (219)	7" (178)	7 9/16" (192)			
2" (51)	1 SLOT	6 1/4" (159)	4 5/8" (117)	5 1/4" (133)	2 1/8" (54)	2 5/16" (59)	2 11/16" (68)
	2 SLOT	10 5/8" (270)	9" (229)	9 9/16" (243)			
2 1/2" (64)	1 SLOT	7 1/4" (184)	5 5/8" (143)	6 1/4" (159)	2 3/8" (60)	2 13/16" (71)	2 15/16" (75)
	2 SLOT	12 5/8" (321)	11" (279)	11 9/16" (294)			
3" (76)	1 SLOT	8 1/4" (210)	6 5/8" (168)	7 1/4" (184)	2 5/8" (67)	3 5/16" (84)	3 3/16" (81)
	2 SLOT	14 5/8" (371)	13" (330)	13 9/16" (344)			

* OPENING WIDTH IS OUTSIDE DIMENSION OF FIELD BUILT PLENUM WITH HEMMED EDGES. IF NO PLENUM IS USED, OPENING WIDTH MAY OPTIONALLY BE REDUCED BY UP TO 1/4" (6). FOR TYPE P MOUNTING SEE ALSO ASP/JSP SUBMITTAL.

ALL METRIC DIMENSIONS () ARE SOFT CONVERTED. IMPERIAL DIMENSIONS ARE CONVERTED TO METRIC AND ROUNDED TO THE NEAREST MILLIMETER.

PROJECT:

ENGINEER:

CUSTOMER:

SUBMITTAL DATE:

SPEC. SYMBOL:



Signature

256223

2014/04/07

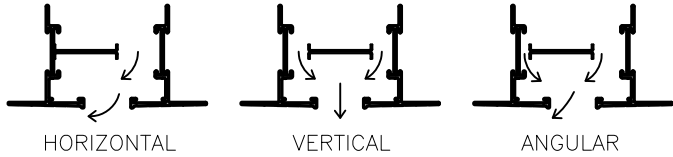
CUSTOM FLOW

AS / JS SERIES
LINEAR DIFFUSER
TYPE 22, 22A, 22C & 22P
SURFACE MOUNT

**CUSTOM FLOW - BORDER TYPE 22, 22A, 22C & 22P
CONCEALED SURFACE MOUNT APPLICATION**

PATTERN CONTROLLER ADJUSTMENTS:

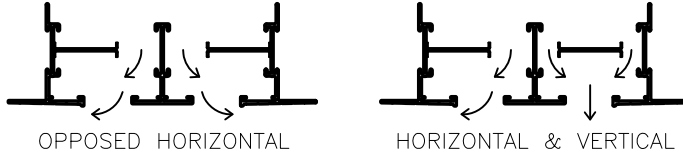
□ AS SERIES - DPC - DUAL LAYER PATTERN CONTROLLERS (PATTERN AND VOLUME ADJUSTMENT)



DPC - VOLUME ADJUSTMENTS:

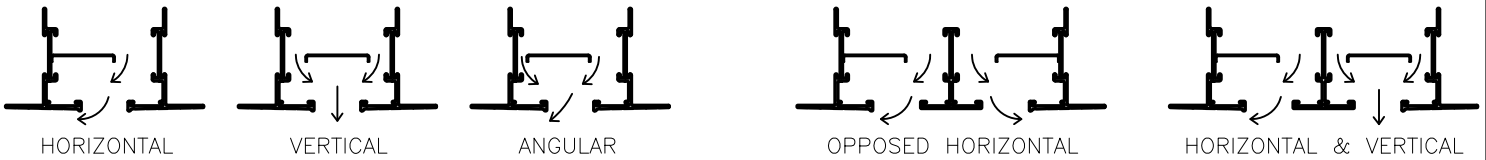
- FULLY OPEN:
- PARTIALLY DAMPERED
- SHUTOFF

• TWO SLOT ADJUSTMENT MAY ALSO DIFFER FOR EACH SLOT:

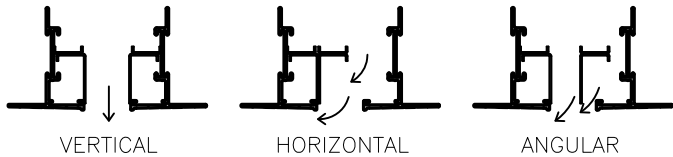


□ AS SERIES - SPC - SINGLE LAYER PATTERN CONTROLLERS (PATTERN ADJUSTMENT ONLY)

• TWO SLOT ADJUSTMENT MAY ALSO DIFFER FOR EACH SLOT:



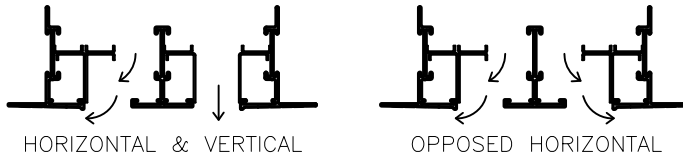
□ JS SERIES - DPC - DUAL LAYER PATTERN CONTROLLERS (PATTERN AND VOLUME ADJUSTMENT)



DPC - VOLUME ADJUSTMENTS:

- FULLY OPEN:
- PARTIALLY DAMPERED
- SHUTOFF

• TWO SLOT ADJUSTMENT MAY ALSO DIFFER FOR EACH SLOT:



□ JS SERIES - SPC - SINGLE LAYER PATTERN CONTROLLERS (PATTERN ADJUSTMENT ONLY)

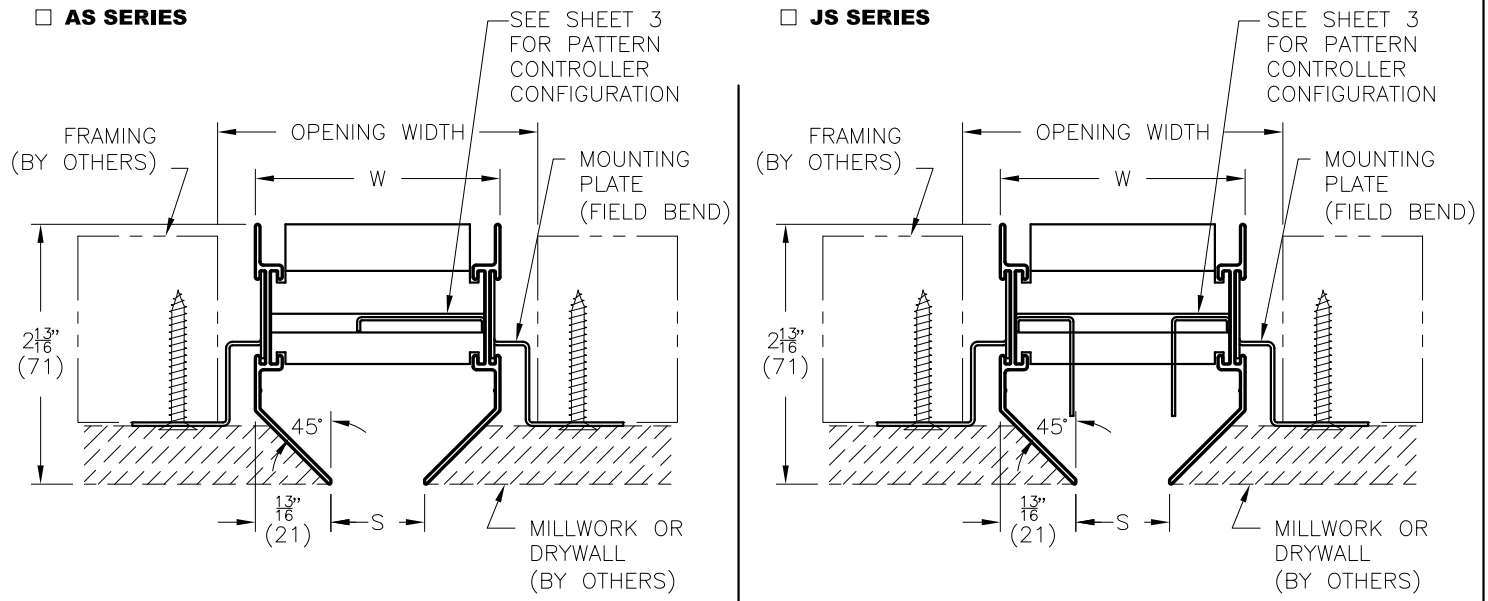
• TWO SLOT ADJUSTMENT MAY ALSO DIFFER FOR EACH SLOT:



ALL METRIC DIMENSIONS () ARE SOFT CONVERTED. IMPERIAL DIMENSIONS ARE CONVERTED TO METRIC AND ROUNDED TO THE NEAREST MILLIMETER.

PROJECT:		PRICE®	
ENGINEER:			CUSTOM FLOW
CUSTOMER:			
SUBMITTAL DATE:	SPEC. SYMBOL:	2014/04/07	AS / JS SERIES LINEAR DIFFUSER TYPE 22, 22A, 22C & 22P SURFACE MOUNT

**CUSTOM FLOW - BORDER TYPE 41 & 41P
BEVELLED FRAME APPLICATION**



S	W	OPENING WIDTH
1" (25)	2 ⁵ / ₈ " (67)	3 ⁷ / ₁₆ " (87)
1 ¹ / ₂ " (38)	3 ¹ / ₈ " (79)	3 ¹⁵ / ₁₆ " (100)
2" (51)	3 ⁵ / ₈ " (92)	4 ⁷ / ₁₆ " (113)
2 ¹ / ₂ " (64)	4 ¹ / ₈ " (105)	4 ¹⁵ / ₁₆ " (125)
3" (76)	4 ⁵ / ₈ " (117)	5 ⁷ / ₁₆ " (138)

FINISH:

- PATTERN CONTROLLERS – B17 BLACK
- INTERIOR SURFACES:
 - UPPER FRAME TO MATCH DIFFUSER FACE FINISH
 - BFR – B17 BLACK UPPER FRAME STACK (AS ONLY)
- DIFFUSER FACE – MILL FINISH
- Z ENDCAPS – B17 BLACK

PATTERN CONTROLLERS:

- SPC – SINGLE LAYER PATTERN CONTROLLER, SEE PAGE 3 (PATTERN ADJUSTMENT ONLY)
- DPC – DUAL LAYER PATTERN CONTROLLER, SEE PAGE 3 (PATTERN AND VOLUME ADJUSTABLE)

MATERIAL:

- EXTRUDED ALUMINUM FRAME & SPACERS
- PATTERN CONTROLLERS ARE HEAVY GAUGE STEEL
- Z ENDCAPS – STEEL



NOTE:

- MINIMUM LENGTH 12" (305)
- MAXIMUM SECTION LENGTH 120" (3048)
- MAY BE USED WITH ASP / JSP TYPE 41 PLENUM
- SEE INSTALLATION INSTRUCTION I100036

MODELS:

- AS210 – 1" SLOT
- AS215 – 1¹/₂" SLOT
- AS220 – 2" SLOT
- AS225 – 2¹/₂" SLOT
- AS230 – 3" SLOT
- JS210 – 1" SLOT
- JS215 – 1¹/₂" SLOT
- JS220 – 2" SLOT
- JS225 – 2¹/₂" SLOT
- JS230 – 3" SLOT

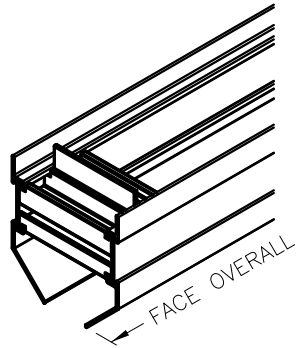
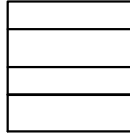
ALL METRIC DIMENSIONS () ARE SOFT CONVERTED. IMPERIAL DIMENSIONS ARE CONVERTED TO METRIC AND ROUNDED TO THE NEAREST MILLIMETER.

PROJECT:		
ENGINEER:		
CUSTOMER:		 239254
SUBMITTAL DATE:	SPEC. SYMBOL:	2014/04/07
		CUSTOM FLOW AS / JS SERIES LINEAR DIFFUSER BORDER TYPE 41 & 41P

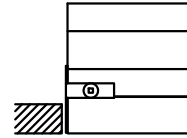
**CUSTOM FLOW - BORDER TYPE 41 & 41P
BEVELLED FRAME APPLICATION**

END CONDITIONS:

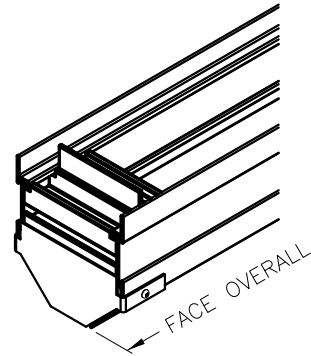
Y - OPEN END
FOR SPLICING TOGETHER
MULTIPLE SECTIONS



Z - FLUSH END CAP



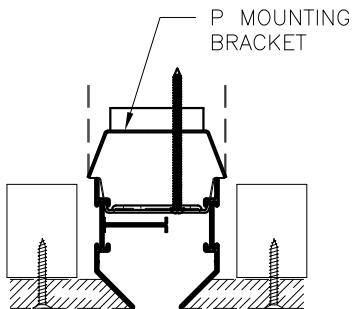
← OPENING LENGTH



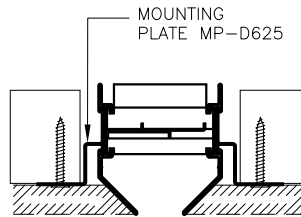
END CONDITION	FACE LENGTH	CEILING OPENING LENGTH
Y-Y	NOMINAL LENGTH	NOMINAL LENGTH + 1/8" (3)
Y-Z	NOMINAL LENGTH + 1/16" (2)	NOMINAL LENGTH + 3/16" (5)
Z-Z	NOMINAL LENGTH + 1/8" (3)	NOMINAL LENGTH + 1/4" (6)

MOUNTING OPTIONS:

TYPE 41P - P
MOUNTING BRACKET
FOR ASP / JSP PLENUM

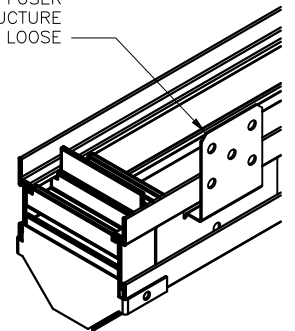


TYPE 41 - MP-D625
5/8" (16) DRYWALL
MOUNTING BRACKET



TYPE 41 - MP
MOUNTING PLATES

MOUNTING PLATES
MAY BE USED TO
SUSPEND DIFFUSER
FROM STRUCTURE
SUPPLIED LOOSE



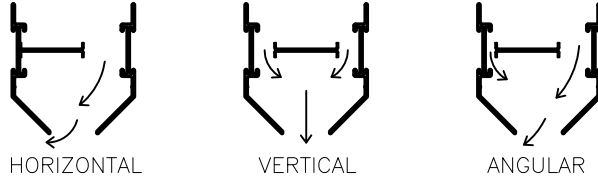
ALL METRIC DIMENSIONS () ARE SOFT CONVERTED. IMPERIAL DIMENSIONS ARE CONVERTED TO METRIC AND ROUNDED TO THE NEAREST MILLIMETER.

PROJECT:		PRICE [®]	
ENGINEER:		<i>MG</i>	CUSTOM FLOW AS / JS SERIES LINEAR DIFFUSER BORDER TYPE 41 & 41P
CUSTOMER:		239254	
SUBMITTAL DATE:	SPEC. SYMBOL:	2014/04/07	

**CUSTOM FLOW - BORDER TYPE 41 & 41P
BEVELLED FRAME APPLICATION**

PATTERN CONTROLLER ADJUSTMENTS:

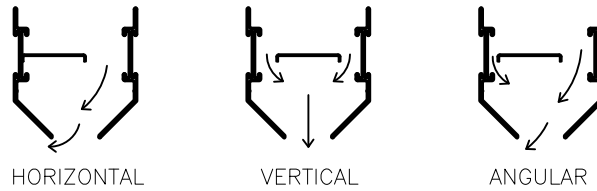
AS SERIES – DPC – DUAL LAYER PATTERN CONTROLLERS (PATTERN AND VOLUME ADJUSTMENT)



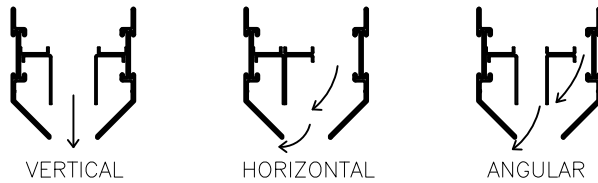
DPC – VOLUME ADJUSTMENTS:

- FULLY OPEN:
- PARTIALLY DAMPERED:
- SHUTOFF:

AS SERIES – SPC – SINGLE LAYER PATTERN CONTROLLERS (PATTERN ADJUSTMENT ONLY)



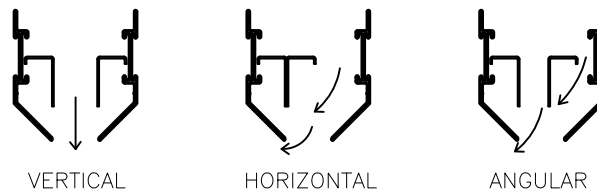
JS SERIES – DPC – DUAL LAYER PATTERN CONTROLLERS (PATTERN AND VOLUME ADJUSTMENT)



DPC – VOLUME ADJUSTMENTS:

- FULLY OPEN:
- PARTIALLY DAMPERED:
- SHUTOFF:

JS SERIES – SPC – SINGLE LAYER PATTERN CONTROLLERS (PATTERN ADJUSTMENT ONLY)

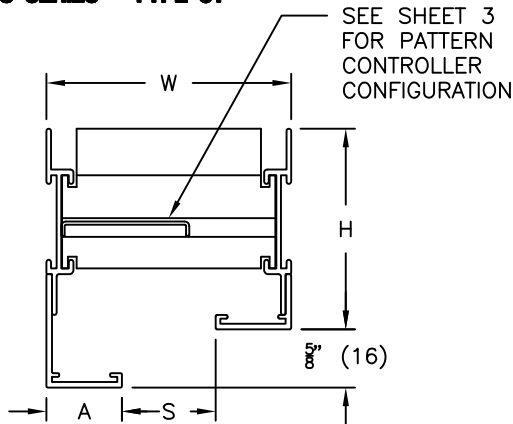


ALL METRIC DIMENSIONS () ARE SOFT CONVERTED. IMPERIAL DIMENSIONS ARE CONVERTED TO METRIC AND ROUNDED TO THE NEAREST MILLIMETER.

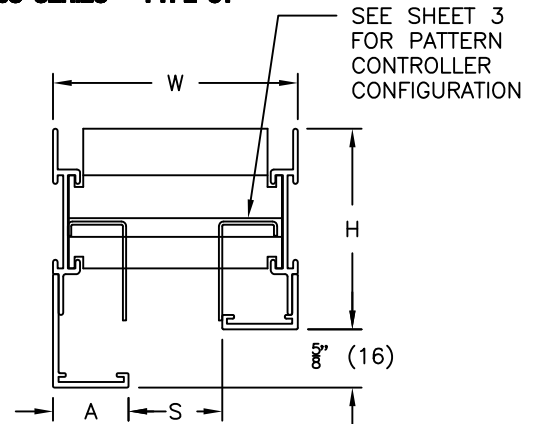
PROJECT:		PRICE [®]	
ENGINEER:			CUSTOM FLOW AS / JS SERIES LINEAR DIFFUSER BORDER TYPE 41 & 41P
CUSTOMER:		239254	
SUBMITTAL DATE:	SPEC. SYMBOL:	2014/04/07	

**CUSTOM FLOW - BORDER TYPE 51 & 51F
OFFSET & NARROW FRAME APPLICATIONS**

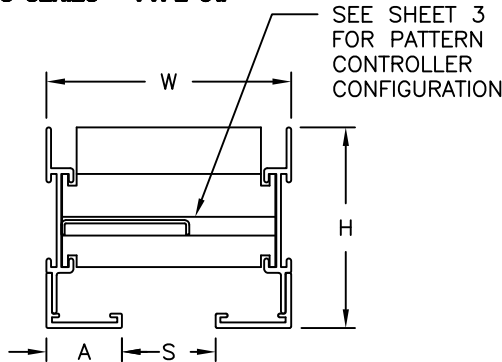
AS SERIES - TYPE 51



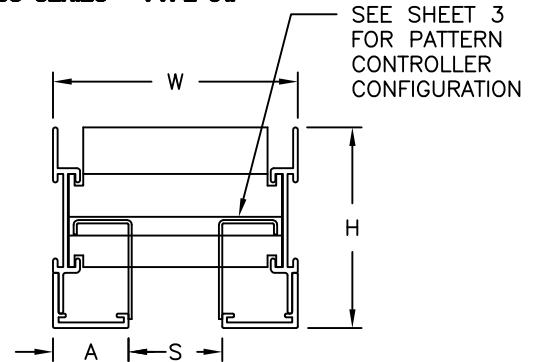
JS SERIES - TYPE 51



AS SERIES - TYPE 51F



JS SERIES - TYPE 51F



FINISH:

- PATTERN CONTROLLERS - B17 BLACK
- INTERIOR SURFACES:
 - BFR - B17 BLACK UPPER FRAME STACK
- DIFFUSER FACE - B12 WHITE (OPTIONAL FINISHES AVAILABLE)

PATTERN CONTROLLERS:

- SPC - SINGLE LAYER PATTERN CONTROLLER, SEE PAGE 3 (PATTERN ADJUSTMENT ONLY)
- DPC - DUAL LAYER PATTERN CONTROLLER, SEE PAGE 3 (PATTERN AND VOLUME ADJUSTABLE)

MATERIAL:

- EXTRUDED ALUMINUM FRAME & SPACERS
- PATTERN CONTROLLERS ARE HEAVY GAUGE STEEL

NOTE:

- MINIMUM LENGTH 12" (305)
- MAXIMUM SECTION LENGTH 120" (3048)
- SEE INSTALLATION INSTRUCTION I100037

MODELS:

- | | |
|---|---|
| <input type="checkbox"/> AS210 - 1" SLOT | <input type="checkbox"/> JS210 - 1" SLOT |
| <input type="checkbox"/> AS215 - 1½" SLOT | <input type="checkbox"/> JS215 - 1½" SLOT |
| <input type="checkbox"/> AS220 - 2" SLOT | <input type="checkbox"/> JS220 - 2" SLOT |
| <input type="checkbox"/> AS225 - 2½" SLOT | <input type="checkbox"/> JS225 - 2½" SLOT |
| <input type="checkbox"/> AS230 - 3" SLOT | <input type="checkbox"/> JS230 - 3" SLOT |

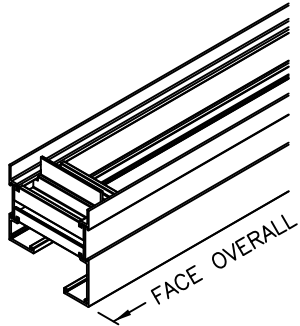
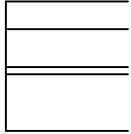
ALL METRIC DIMENSIONS () ARE SOFT CONVERTED. IMPERIAL DIMENSIONS ARE CONVERTED TO METRIC AND ROUNDED TO THE NEAREST MILLIMETER.

PROJECT:		PRICE®
ENGINEER:	<i>MG</i>	
CUSTOMER:	240725	CUSTOM FLOW AS / JS SERIES LINEAR DIFFUSER BORDER TYPE 51 & 51F
SUBMITTAL DATE:	2015/09/14	
SPEC. SYMBOL:		

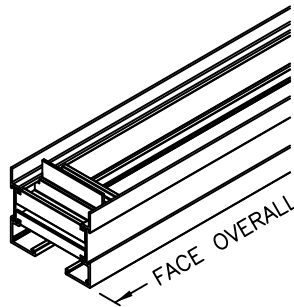
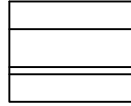
**CUSTOM FLOW - BORDER TYPE 51 & 51F
OFFSET & NARROW FRAME APPLICATIONS**

END CONDITIONS:

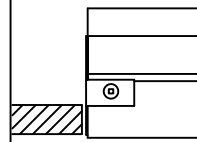
Y - OPEN END (TYPE 51)
FOR SPLICING TOGETHER
MULTIPLE SECTIONS



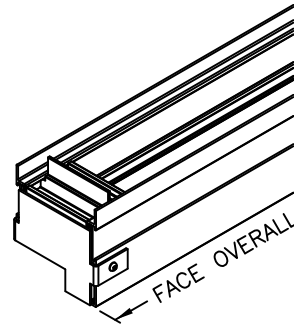
Y - OPEN END (TYPE 51F)
FOR SPLICING TOGETHER
MULTIPLE SECTIONS



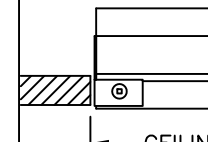
Z - FLUSH END CAP (TYPE 51)



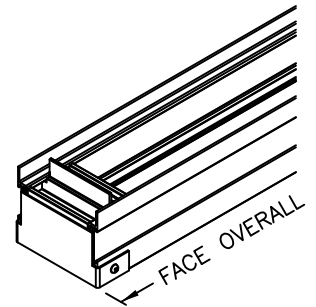
← CEILING OPENING



Z - FLUSH END CAP (TYPE 51F)



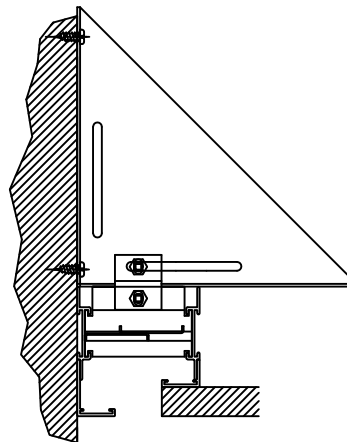
← CEILING OPENING



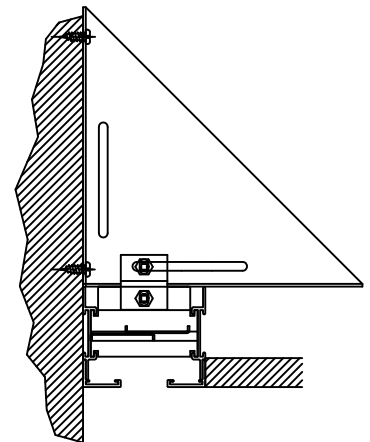
END CONDITION	FACE LENGTH	CEILING OPENING
Y-Y	NOMINAL LENGTH	NOMINAL LENGTH + 1/8" (3)
Y-Z	NOMINAL LENGTH + 1/16" (2)	NOMINAL LENGTH + 3/16" (5)
Z-Z	NOMINAL LENGTH + 1/8" (3)	NOMINAL LENGTH + 1/4" (6)

MOUNTING GUSSET - MG

• TYPE 51 PERIMETER INSTALLATION



• TYPE 51F PERIMETER INSTALLATION



S	W	A	H
1" (25)	2 5/8" (67)	1 3/16" (21)	2 3/16" (56)
1 1/2" (38)	3 5/8" (92)	1 1/16" (27)	2 7/16" (62)
2" (51)	4 5/8" (117)	1 5/16" (33)	2 1 1/16" (68)
2 1/2" (64)	5 5/8" (143)	1 9/16" (40)	2 15/16" (75)
3" (76)	6 5/8" (168)	1 13/16" (46)	3 3/16" (81)

ALL METRIC DIMENSIONS () ARE SOFT CONVERTED. IMPERIAL DIMENSIONS ARE CONVERTED TO METRIC AND ROUNDED TO THE NEAREST MILLIMETER.

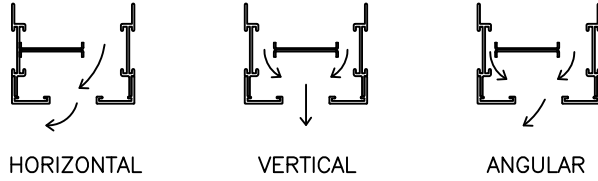
PROJECT:		PRICE®
ENGINEER:		
CUSTOMER:		240725
SUBMITTAL DATE:	SPEC. SYMBOL:	2015/09/14

CUSTOM FLOW
AS / JS SERIES
LINEAR DIFFUSER
BORDER TYPE 51 & 51F

**CUSTOM FLOW - BORDER TYPE 51 & 51F
OFFSET & NARROW FRAME APPLICATIONS**

PATTERN CONTROLLER ADJUSTMENTS:

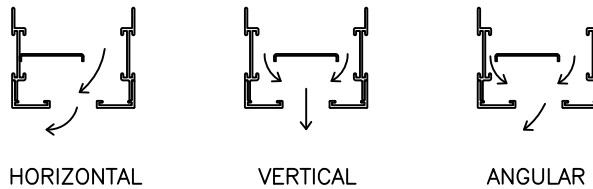
AS SERIES - DPC - DUAL LAYER PATTERN CONTROLLERS (PATTERN AND VOLUME ADJUSTMENT)



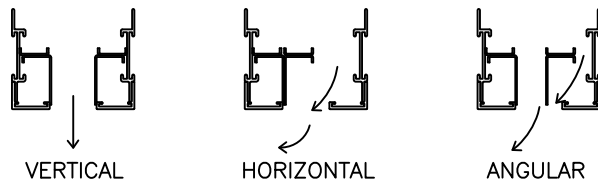
DPC - VOLUME ADJUSTMENTS:

- FULLY OPEN:
- PARTIALLY DAMPERED
- SHUTOFF

AS SERIES - SPC - SINGLE LAYER PATTERN CONTROLLERS (PATTERN ADJUSTMENT ONLY)



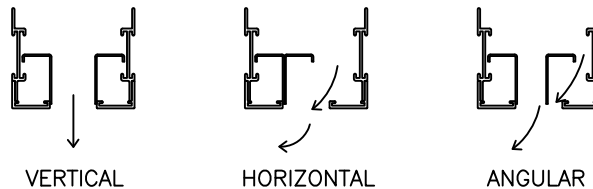
JS SERIES - DPC - DUAL LAYER PATTERN CONTROLLERS (PATTERN AND VOLUME ADJUSTMENT)



DPC - VOLUME ADJUSTMENTS:

- FULLY OPEN:
- PARTIALLY DAMPERED
- SHUTOFF

JS SERIES - SPC - SINGLE LAYER PATTERN CONTROLLERS (PATTERN ADJUSTMENT ONLY)

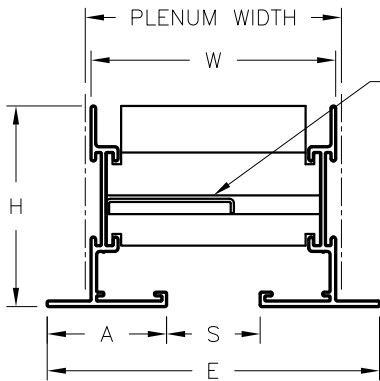


ALL METRIC DIMENSIONS () ARE SOFT CONVERTED. IMPERIAL DIMENSIONS ARE CONVERTED TO METRIC AND ROUNDED TO THE NEAREST MILLIMETER.

PROJECT:		PRICE®	
ENGINEER:			CUSTOM FLOW AS / JS SERIES LINEAR DIFFUSER BORDER TYPE 51 & 51F
CUSTOMER:			
SUBMITTAL DATE:	SPEC. SYMBOL:	2015/09/14	

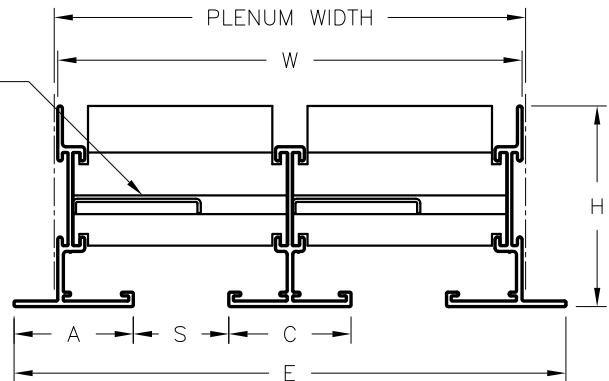
**CUSTOM FLOW - BORDER TYPE 21LI
T-BAR LAY-IN APPLICATION**

AS SERIES



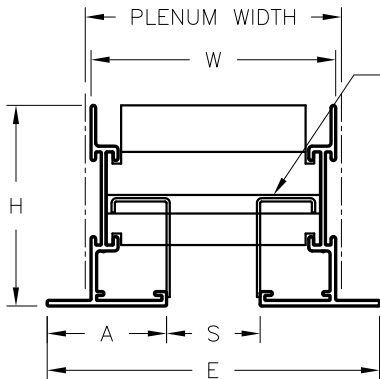
1 SLOT

SEE SHEET 3
FOR PATTERN
CONTROLLER
CONFIGURATION



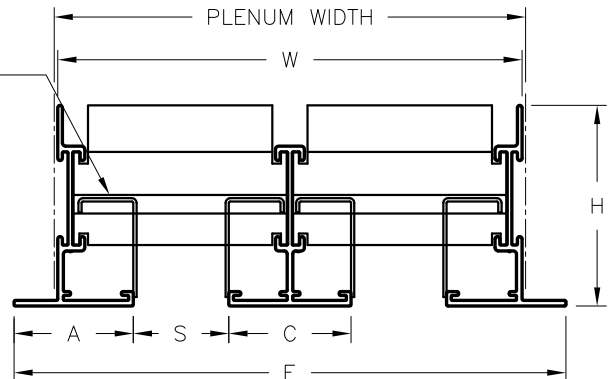
2 SLOT

JS SERIES



1 SLOT

SEE SHEET 3
FOR PATTERN
CONTROLLER
CONFIGURATION



2 SLOT

FINISH:

- PATTERN CONTROLLERS - B17 BLACK
- INTERIOR SURFACES:
 - UPPER FRAME TO MATCH DIFFUSER FACE FINISH
 - BFR - B17 BLACK UPPER FRAME STACK (AS ONLY)
- DIFFUSER FACE - B12 WHITE (OPTIONAL FINISHES AVAILABLE)
- Z ENDCAPS - B17 BLACK

PATTERN CONTROLLERS:

- SPC - SINGLE LAYER PATTERN CONTROLLER, SEE PAGE 3 (PATTERN ADJUSTMENT ONLY)
- DPC - DUAL LAYER PATTERN CONTROLLER, SEE PAGE 3 (PATTERN AND VOLUME ADJUSTABLE)

MATERIAL:

- EXTRUDED ALUMINUM FRAME & SPACERS
- PATTERN CONTROLLERS ARE HEAVY GAUGE STEEL
- Z ENDCAPS - STEEL

NOTE:

- MINIMUM LENGTH 12" (305)
- MAXIMUM SECTION LENGTH 120" (3048)
- FOR USE WITH MODEL UP/UPL PLENUMS
- MAY ALSO BE USED WITH ASP/JSP TYPE 1 PLENUM
- SEE INSTALLATION INSTRUCTION I100035

MODELS:

- | | |
|---|---|
| <input type="checkbox"/> AS210 - 1" SLOT | <input type="checkbox"/> JS210 - 1" SLOT |
| <input type="checkbox"/> AS215 - 1½" SLOT | <input type="checkbox"/> JS215 - 1½" SLOT |
| <input type="checkbox"/> AS220 - 2" SLOT | <input type="checkbox"/> JS220 - 2" SLOT |
| <input type="checkbox"/> AS225 - 2½" SLOT | <input type="checkbox"/> JS225 - 2½" SLOT |
| <input type="checkbox"/> AS230 - 3" SLOT | <input type="checkbox"/> JS230 - 3" SLOT |

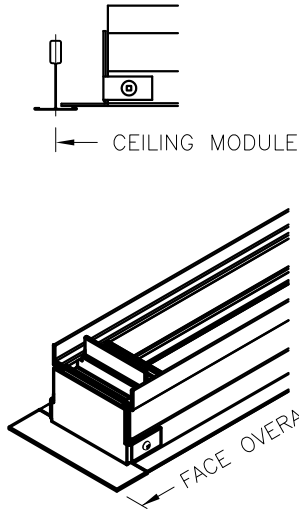
ALL METRIC DIMENSIONS () ARE SOFT CONVERTED. IMPERIAL DIMENSIONS ARE CONVERTED TO METRIC AND ROUNDED TO THE NEAREST MILLIMETER.

PROJECT:		PRICE®	
ENGINEER:		<i>MJ</i>	CUSTOM FLOW AS / JS SERIES LINEAR DIFFUSER BORDER TYPE 21LI T-BAR LAY-IN
CUSTOMER:		245340	
SUBMITTAL DATE:	SPEC. SYMBOL:	2014/04/07	

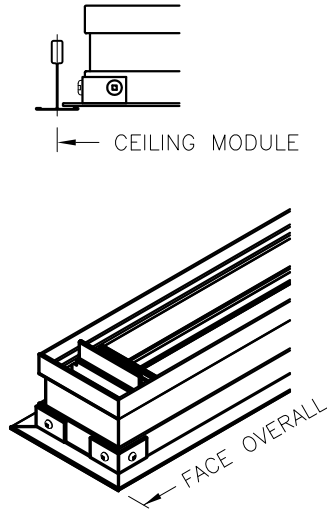
**CUSTOM FLOW - BORDER TYPE 21LI
T-BAR LAY-IN APPLICATION**

END CONDITIONS:

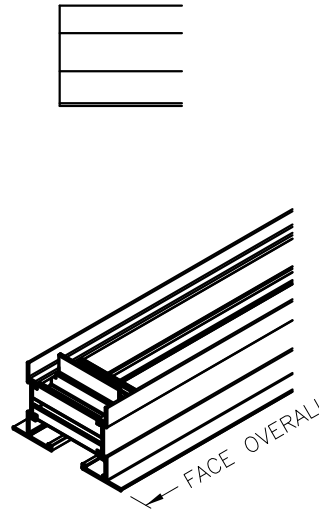
W - FLANGE END



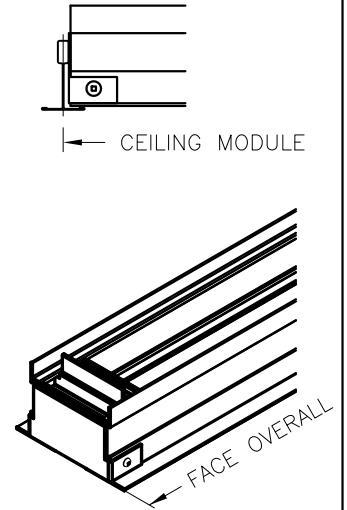
X - MITRED END



Y - OPEN END
FOR SPLICING TOGETHER
MULTIPLE SECTIONS



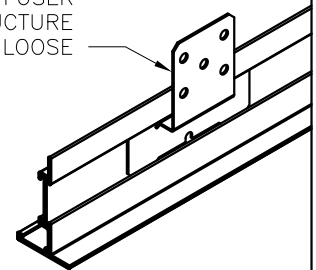
Z - FLUSH END CAP



END CONDITION	FACE LENGTH
W-W	CEILING MODULE - 1/4" (6)
W-Y	CEILING MODULE - 1/8" (3)
X-X	CEILING MODULE - 1/4" (6)
X-Y	CEILING MODULE - 1/8" (3)
Y-Y	CEILING MODULE
Y-Z	CEILING MODULE - 1/8" (3)
Z-Z	CEILING MODULE - 1/4" (6)

• MP - MOUNTING PLATES

MOUNTING PLATES
MAY BE USED TO
SUSPEND DIFFUSER
FROM STRUCTURE
SUPPLIED LOOSE



S	SLOT QTY.	E	W	PLENUM WIDTH*	A	C	H
1" (25)	1 SLOT	3 ⁹ / ₁₆ " (91)	2 ⁵ / ₈ " (67)	2 ³ / ₄ " (70)	1 ⁹ / ₃₂ " (33)	1 ⁵ / ₁₆ " (33)	2 ³ / ₁₆ " (56)
	2 SLOT	5 ¹⁵ / ₁₆ " (151)	5" (127)	5 ¹ / ₁₆ " (129)			
1 ¹ / ₂ " (38)	1 SLOT	4 ⁹ / ₁₆ " (116)	3 ⁵ / ₈ " (92)	3 ³ / ₄ " (95)	1 ¹⁷ / ₃₂ " (39)	1 ¹³ / ₁₆ " (46)	2 ⁷ / ₁₆ " (62)
	2 SLOT	7 ¹⁵ / ₁₆ " (202)	7" (178)	7 ¹ / ₁₆ " (179)			
2" (51)	1 SLOT	5 ⁹ / ₁₆ " (141)	4 ⁵ / ₈ " (117)	4 ³ / ₄ " (121)	1 ²⁵ / ₃₂ " (45)	2 ⁵ / ₁₆ " (59)	2 ¹¹ / ₁₆ " (68)
	2 SLOT	9 ¹⁵ / ₁₆ " (252)	9" (229)	9 ¹ / ₁₆ " (230)			
2 ¹ / ₂ " (64)	1 SLOT	6 ⁹ / ₁₆ " (167)	5 ⁵ / ₈ " (143)	5 ³ / ₄ " (146)	2 ¹ / ₃₂ " (52)	2 ¹³ / ₁₆ " (71)	2 ¹⁵ / ₁₆ " (75)
	2 SLOT	11 ¹⁵ / ₁₆ " (303)	11" (279)	11 ¹ / ₁₆ " (281)			
3" (76)	1 SLOT	7 ⁹ / ₁₆ " (192)	6 ⁵ / ₈ " (168)	6 ³ / ₄ " (171)	2 ⁹ / ₃₂ " (58)	3 ⁵ / ₁₆ " (84)	3 ³ / ₁₆ " (81)
	2 SLOT	13 ¹⁵ / ₁₆ " (354)	13" (330)	13 ¹ / ₁₆ " (332)			

* PLENUM WIDTH IS OUTSIDE DIMENSION OF MODEL UP / UPL PLENUM, WITH FLAT EDGES ("W" ON UP/UPL SUBMITTALS). IF USING ASP / JSP SERIES PLENUM, SEE PLENUM SUBMITTAL FOR WIDTH DIMENSION.

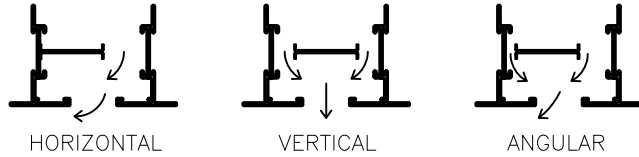
ALL METRIC DIMENSIONS () ARE SOFT CONVERTED. IMPERIAL DIMENSIONS ARE CONVERTED TO METRIC AND ROUNDED TO THE NEAREST MILLIMETER.

PROJECT:		PRICE [®]	
ENGINEER:		<i>MJ</i>	CUSTOM FLOW AS / JS SERIES LINEAR DIFFUSER BORDER TYPE 21LI T-BAR LAY-IN
CUSTOMER:		245340	
SUBMITTAL DATE:	SPEC. SYMBOL:	2014/04/07	

**CUSTOM FLOW - BORDER TYPE 21LI
T-BAR LAY-IN APPLICATION**

PATTERN CONTROLLER ADJUSTMENTS:

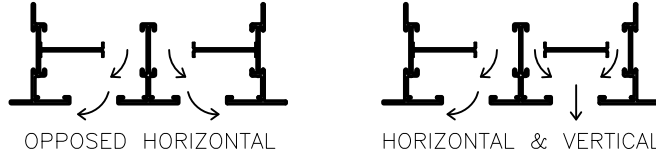
□ AS SERIES - DPC - DUAL LAYER PATTERN CONTROLLERS (PATTERN AND VOLUME ADJUSTMENT)



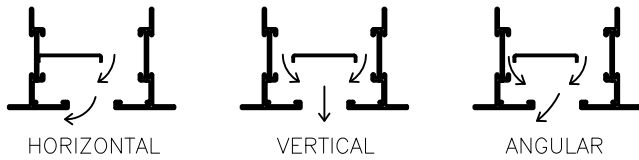
DPC - VOLUME ADJUSTMENTS:

- FULLY OPEN:
- PARTIALLY DAMPERED
- SHUTOFF

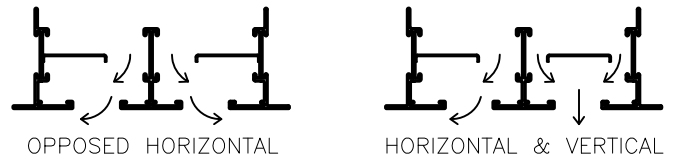
• TWO SLOT ADJUSTMENT MAY ALSO DIFFER FOR EACH SLOT:



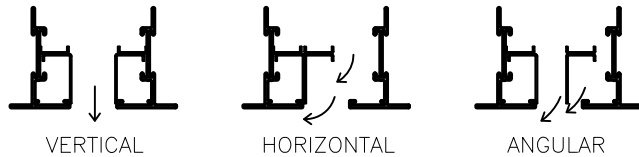
□ AS SERIES - SPC - SINGLE LAYER PATTERN CONTROLLERS (PATTERN ADJUSTMENT ONLY)



• TWO SLOT ADJUSTMENT MAY ALSO DIFFER FOR EACH SLOT:



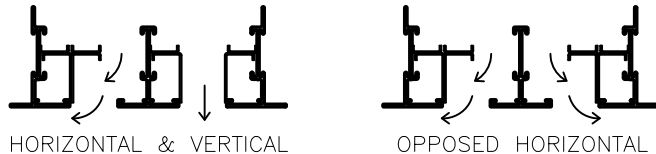
□ JS SERIES - DPC - DUAL LAYER PATTERN CONTROLLERS (PATTERN AND VOLUME ADJUSTMENT)



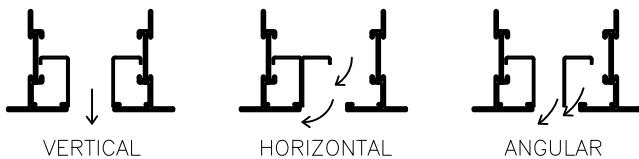
DPC - VOLUME ADJUSTMENTS:

- FULLY OPEN:
- PARTIALLY DAMPERED
- SHUTOFF

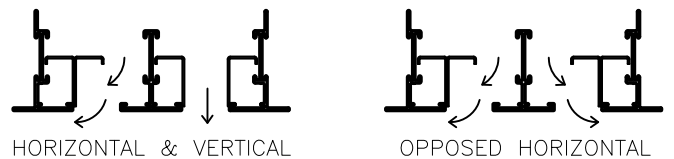
• TWO SLOT ADJUSTMENT MAY ALSO DIFFER FOR EACH SLOT:



□ JS SERIES - SPC - SINGLE LAYER PATTERN CONTROLLERS (PATTERN ADJUSTMENT ONLY)



• TWO SLOT ADJUSTMENT MAY ALSO DIFFER FOR EACH SLOT:

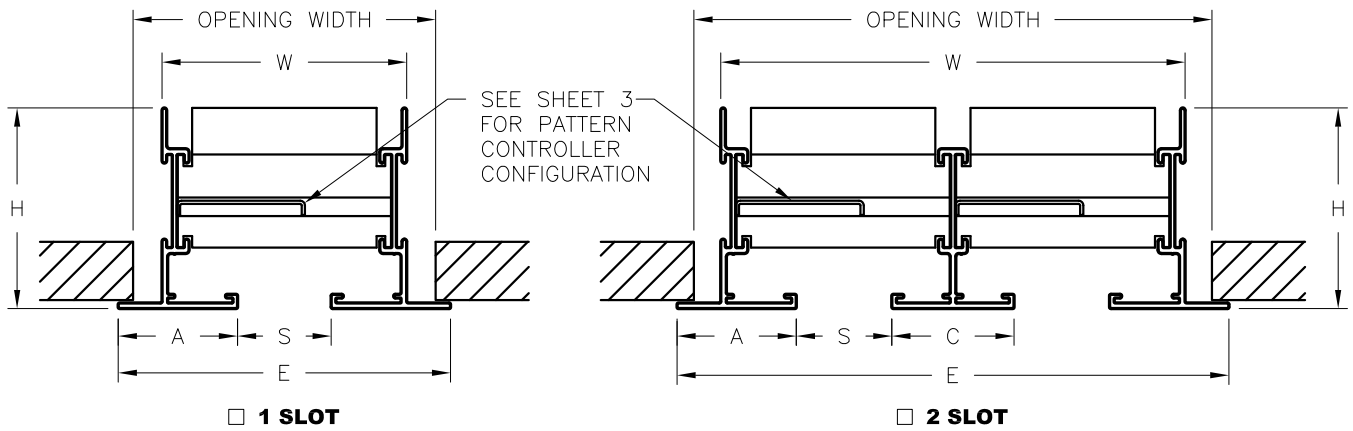


ALL METRIC DIMENSIONS () ARE SOFT CONVERTED. IMPERIAL DIMENSIONS ARE CONVERTED TO METRIC AND ROUNDED TO THE NEAREST MILLIMETER.

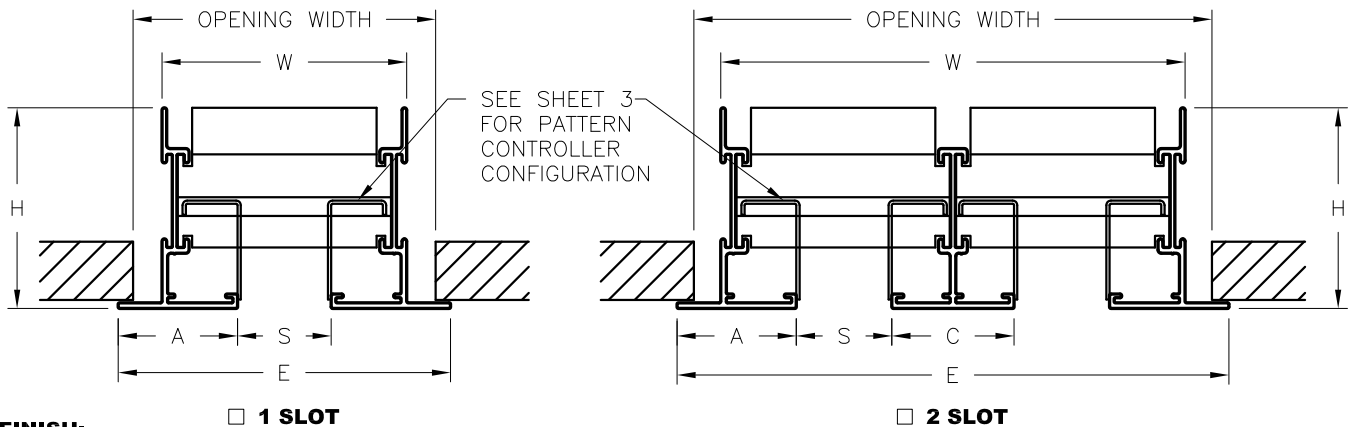
PROJECT:		PRICE®	
ENGINEER:			CUSTOM FLOW AS / JS SERIES LINEAR DIFFUSER BORDER TYPE 21LI T-BAR LAY-IN
CUSTOMER:		245340	
SUBMITTAL DATE:	SPEC. SYMBOL:	2014/04/07	

**CUSTOM FLOW - BORDER TYPE 21SM
SURFACE MOUNT APPLICATION**

AS SERIES



JS SERIES



FINISH:

- PATTERN CONTROLLERS – B17 BLACK
- INTERIOR SURFACES:
 - UPPER FRAME TO MATCH DIFFUSER FACE FINISH
 - BFR – B17 BLACK UPPER FRAME STACK (AS ONLY)
- DIFFUSER FACE – B12 WHITE (OPTIONAL FINISHES AVAILABLE)

PATTERN CONTROLLERS:

- SPC – SINGLE LAYER PATTERN CONTROLLER, SEE PAGE 3 (PATTERN ADJUSTMENT ONLY)
- DPC – DUAL LAYER PATTERN CONTROLLER, SEE PAGE 3 (PATTERN AND VOLUME ADJUSTABLE)

MATERIAL:

- EXTRUDED ALUMINUM FRAME & SPACERS
- PATTERN CONTROLLERS ARE HEAVY GAUGE STEEL

NOTE:

- MINIMUM LENGTH 12" (305)
- MAXIMUM SECTION LENGTH 120" (3048)
- FOR USE WITH MODEL UP/UPL PLENUMS
- CONCEALED MOUNTING BRACKETS INCLUDED
- SEE INSTALLATION INSTRUCTION I100028

MODELS:

- AS210 – 1" SLOT
- AS215 – 1½" SLOT
- AS220 – 2" SLOT
- AS225 – 2½" SLOT
- AS230 – 3" SLOT
- JS210 – 1" SLOT
- JS215 – 1½" SLOT
- JS220 – 2" SLOT
- JS225 – 2½" SLOT
- JS230 – 3" SLOT

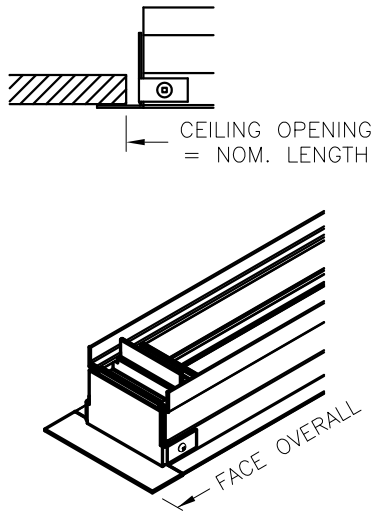
ALL METRIC DIMENSIONS () ARE SOFT CONVERTED. IMPERIAL DIMENSIONS ARE CONVERTED TO METRIC AND ROUNDED TO THE NEAREST MILLIMETER.

PROJECT:		PRICE[®]	
ENGINEER:		<i>MJ</i>	CUSTOM FLOW AS / JS SERIES LINEAR DIFFUSER BORDER TYPE 21SM SURFACE MOUNT
CUSTOMER:		245346	
SUBMITTAL DATE:	SPEC. SYMBOL:	2014/04/07	

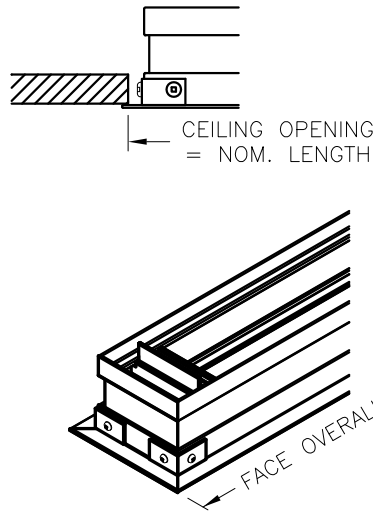
**CUSTOM FLOW - BORDER TYPE 21SM
SURFACE MOUNT APPLICATION**

END CONDITIONS:

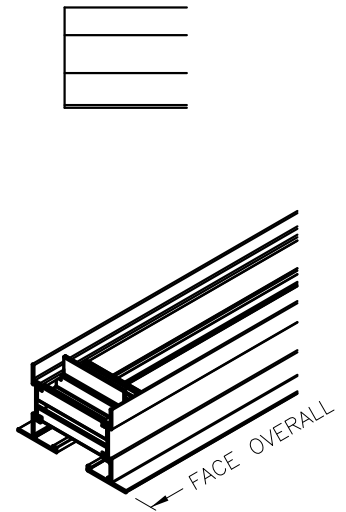
W - FLANGE END



X - MITRED END

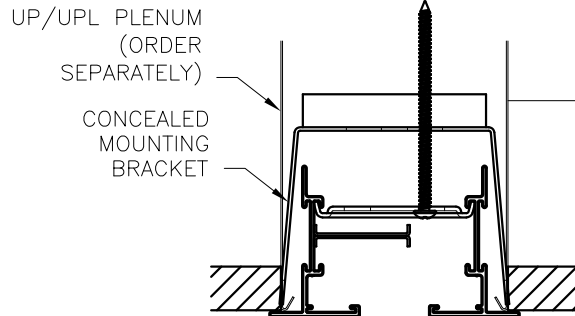


Y - OPEN END
FOR SPLICING TOGETHER
MULTIPLE SECTIONS



• CONCEALED MOUNTING BRACKETS:

END CONDITION	FACE OVERALL LENGTH
W-W	NOM. LENGTH + 1 1/4" (32)
W-Y	NOM. LENGTH + 5/8" (16)
X-X	NOM. LENGTH + 1/4" (6)
X-Y	NOM. LENGTH + 1/8" (3)
Y-Y	NOM. LENGTH



S	SLOT QTY.	E	W	OPENING WIDTH*	A	C	H
1" (25)	1 SLOT	3 9/16" (91)	2 5/8" (67)	3 1/4" (83)	1 9/32" (33)	1 5/16" (33)	2 3/16" (56)
	2 SLOT	5 15/16" (151)	5" (127)	5 9/16" (141)			
1 1/2" (38)	1 SLOT	4 9/16" (116)	3 3/8" (92)	4 1/4" (108)	1 17/32" (39)	1 13/16" (46)	2 7/16" (62)
	2 SLOT	7 15/16" (202)	7" (178)	7 9/16" (192)			
2" (51)	1 SLOT	5 9/16" (141)	4 5/8" (117)	5 1/4" (133)	1 25/32" (45)	2 5/16" (59)	2 1 1/16" (68)
	2 SLOT	9 15/16" (252)	9" (229)	9 9/16" (243)			
2 1/2" (64)	1 SLOT	6 9/16" (167)	5 5/8" (143)	6 1/4" (159)	2 1/32" (52)	2 13/16" (71)	2 15/16" (75)
	2 SLOT	11 15/16" (303)	11" (279)	11 9/16" (294)			
3" (76)	1 SLOT	7 9/16" (192)	6 5/8" (168)	7 1/4" (184)	2 9/32" (58)	3 5/16" (84)	3 3/16" (81)
	2 SLOT	13 15/16" (354)	13" (330)	13 9/16" (344)			

* OPENING WIDTH IS OUTSIDE DIMENSION OF MODEL UP / UPL PLENUM, WITH HEMMED EDGES ("W" ON UP/UPL SUBMITTALS). IF NO PLENUM IS USED, OPENING WIDTH MAY OPTIONALLY BE REDUCED BY UP TO 1/4" (6).

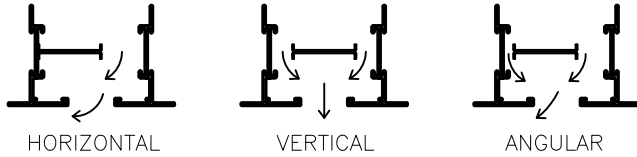
ALL METRIC DIMENSIONS () ARE SOFT CONVERTED. IMPERIAL DIMENSIONS ARE CONVERTED TO METRIC AND ROUNDED TO THE NEAREST MILLIMETER.

PROJECT:		PRICE [®]	
ENGINEER:		<i>MJ</i>	CUSTOM FLOW AS / JS SERIES LINEAR DIFFUSER BORDER TYPE 21SM SURFACE MOUNT
CUSTOMER:		245346	
SUBMITTAL DATE:	SPEC. SYMBOL:	2014/04/07	

**CUSTOM FLOW - BORDER TYPE 21SM
SURFACE MOUNT APPLICATION**

PATTERN CONTROLLER ADJUSTMENTS:

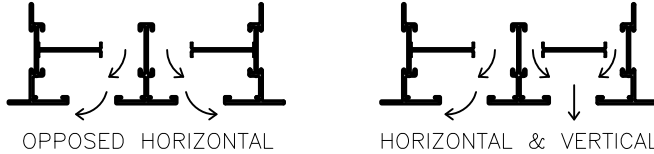
□ AS SERIES – DPC – DUAL LAYER PATTERN CONTROLLERS (PATTERN AND VOLUME ADJUSTMENT)



DPC – VOLUME ADJUSTMENTS:

- FULLY OPEN:
- PARTIALLY DAMPERED
- SHUTOFF

• TWO SLOT ADJUSTMENT MAY ALSO DIFFER FOR EACH SLOT:

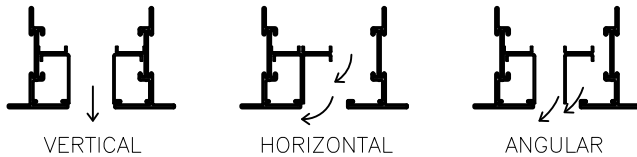


□ AS SERIES – SPC – SINGLE LAYER PATTERN CONTROLLERS (PATTERN ADJUSTMENT ONLY)

• TWO SLOT ADJUSTMENT MAY ALSO DIFFER FOR EACH SLOT:



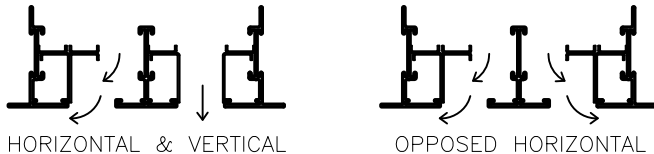
□ JS SERIES – DPC – DUAL LAYER PATTERN CONTROLLERS (PATTERN AND VOLUME ADJUSTMENT)



DPC – VOLUME ADJUSTMENTS:

- FULLY OPEN:
- PARTIALLY DAMPERED
- SHUTOFF

• TWO SLOT ADJUSTMENT MAY ALSO DIFFER FOR EACH SLOT:



□ JS SERIES – SPC – SINGLE LAYER PATTERN CONTROLLERS (PATTERN ADJUSTMENT ONLY)

• TWO SLOT ADJUSTMENT MAY ALSO DIFFER FOR EACH SLOT:



ALL METRIC DIMENSIONS () ARE SOFT CONVERTED. IMPERIAL DIMENSIONS ARE CONVERTED TO METRIC AND ROUNDED TO THE NEAREST MILLIMETER.

PROJECT:		PRICE®	
ENGINEER:			CUSTOM FLOW AS / JS SERIES LINEAR DIFFUSER BORDER TYPE 21SM SURFACE MOUNT
CUSTOMER:		245346	
SUBMITTAL DATE:	SPEC. SYMBOL:	2014/04/07	